

2008 BMW
5 Series Sedan

528i
528xi
535i
535xi
550i



The Ultimate
Driving Machine®



تلفن: ۰۲۱-۸۸۸۶۲۰۰

FarmaSOS.com

Revolutionary performance; revelatory style.

Fresh ideas.

امداد خودرو فارما

تلفن شبانه روزی: ۰۲۱-۸۸۶۲۰۸۵

FarmaSOS.com



We've planted more power under the hood.

Fast company.



Manual, STEPTRONIC automatic, or Sport Automatic 6-speed transmission?

Freedom of choice.



In addition to color, upholstery and comfort features, BMW lets you...

Personalize your performance.



امداد خودرو فارما

تلفن: ۰۲۱-۸۸۶۷۸۵

FarmaSOS.com



Enjoy inner control.

Luxury within your reach.



امداد خودرو فارما

تلفن شبانه روزی: ۰۲۱-۸۸۸۶۲۰۸۵

FarmaSOS.com

Welcome to a high-performance interior.

The seat of 20-way power.



ایراد خودرو فارما

تلفن شماره بزرگ: ۰۲۱ ۸۸۸۶۲۰۸۵

FarmaSOS.com

A rear cabin they'll love to come back to.

Lap of luxury.

Recommended color combinations

Materials	Leatherette ¹		Dakota Leather ²			
	Beige	Black	Cream Beige	Gray	Natural Brown	Black
Upholstery colors³						
Exterior color⁴						
300 Alpine White Non-metallic ⁵		•	•	•	•	•
668 Jet Black Non-metallic ⁵		•	•	•	•	•
354 Titanium Silver Metallic ⁵				•		•
A68 Platinum Gray Metallic ⁵				•		•
A52 Space Gray Metallic ⁵				•		•
A53 Platinum Bronze Metallic ⁵		•	•	•	•	•
A76 Deep Sea Blue Metallic ⁵		•	•	•	•	•
A35 Monaco Blue Metallic ⁶		•	•	•	•	•
A43 Deep Green Metallic ⁶		•	•	•	•	•
416 Carbon Black Metallic ⁷			•	•	•	•
475 Black Sapphire Metallic ⁶		•	•	•	•	•
Interior trims						
438 Dark Poplar Wood ⁸						
437 Light Poplar Wood ⁹						
4BY Bamboo Anthracite Wood ⁹						

¹Leatherette: Standard in 528i/528xi, 535i/535xi.

²Dakota Leather: Standard in 550i; optional in 528i/528xi, 535i/535xi and included in Premium Package.

³Upholstery and interior colors: Cream Beige Leather upholstery comes with Cream Beige interior color; Beige Leatherette upholstery comes with Beige interior color. Black Leather or Black Leatherette upholstery comes with Black interior color. Natural Brown Leather upholstery comes with a Black/Natural Brown color combination on the door panels and a gray headliner. Gray Leather upholstery comes with Gray interior color.

⁴Non-metallic exterior paints are standard; Metallic paints are available at no extra cost.

⁵Alpine White Non-metallic, Jet Black Non-metallic, Titanium Silver Metallic, Platinum Gray Metallic, Space Gray Metallic and Deep Sea Blue Metallic paints: Available as a no-cost option on all models, including 550i with or without optional Sport Package.

⁶Platinum Bronze Metallic, Monaco Blue Metallic, Deep Green Metallic and Black Sapphire Metallic paints: Available as a no-cost option on all models, except 550i when equipped with optional Sport Package.

⁷Carbon Black Metallic paint: Available only on 550i with optional Sport Package.

⁸Dark Poplar Wood trim: Standard in all models.

⁹Light Poplar Wood and Bamboo Anthracite Wood trims: No-cost option.

■ Standard equipment

□ Optional equipment



■ /□ **Xenon Adaptive Headlights**¹ provide brilliant clarity of the road ahead and to the side at night and in conditions with poor visibility. The dynamic auto-leveling feature adjusts for varying passenger and cargo loads, helping to keep headlight glare out of the eyes of oncoming drivers. **BMW Adaptive Headlights**¹ provide optimum road illumination around corners, thanks to an electromechanical control system that directs the headlights into and through the bend as soon as the vehicle begins cornering.

□ **High-beam Assistant**² automatically turns high beams on and off, as needed, based on light sensor readings.

¹ Std. 535i/535xi and 550i; opt. on 528i/528xi.

² Optional; requires optional Xenon headlights and Premium Package in 528i and 528xi; requires Premium Package in 535i and 535xi.



■ **Adaptive Brake Lights** increase vehicle visibility and signal the intensity of your braking action.



■ **Redesigned taillights** add fresh, dramatic flair with raised horizontal ribbing and restyled white reverse lights.



■ **Two-way power glass moonroof** with remote, expanded one-touch operation, slides forward or tilts up to let in as much fresh air and sky as you like, while a wind deflector helps keep the wind out. Includes a sliding interior sunshade.

■ Standard equipment

□ Optional equipment



■ 17 x 7.5 Star Spoke (Style 138) cast alloy wheels with 225/50R-17 all-season tires. (std. on 528i/528xi)



■ 17 x 7.5 Star Spoke (Style 243) cast alloy wheels with 225/50R-17 all-season tires. (std. on 535i/535xi)



■ 17 x 8.0 Star Spoke (Style 245) cast alloy wheels with 225/50R-17 all-season tires. (std. on 550i)



□ 18 x 8.0 Star Spoke (Style 246) cast alloy wheels with 245/40R-18 run-flat performance tires.³ (incl. in 528i Sport Package, opt. with 528xi Sport Package; spare is a space-saver wheel and tire)



□ 18 x 8.0 front, 18 x 9.0 rear Star Spoke (Style 124) cast alloy wheels with 245/40 R-18 front, 275/35R-18 rear run-flat performance tires.³ (incl. in 535i Sport Package, opt. with 535xi Sport Package; spare is a space-saver wheel and tire)



□ 19 x 8.0 front, 19 x 9.5 rear Double Spoke (Style 172M) cast alloy wheels with 245/35R-19 front, 275/30R-19 rear performance tires.³ (incl. in 550i Sport Package; spare is a space-saver wheel and tire)

³Due to low-profile tires, please note: wheels, tires and suspension parts are more susceptible to road hazard and consequential damages. Performance tires not recommended for driving in ice and snow.

■ Standard equipment

□ Optional equipment



■ **3-spoke leather-wrapped multi-function steering wheel** lets you keep both hands on the wheel while adjusting various comfort functions, such as changing the radio, CD selections and volume. Optional Voice Control (included with optional Navigation system) can be used to change radio stations and audio selections, Navigation system destinations, and **Bluetooth**-compatible telephone entries.



■ / □ **Park Distance Control** uses eight sensors – four in the front, four in the rear – to help you judge how close you are to other cars and unseen objects when parking. While engaged in a parking maneuver, the image on the screen visually changes and warning beeps come faster as the bumper approaches a stationary object, turning into a constant tone when the distance is less than 12 inches. (std. in 550i)



□ **Active Cruise Control** with Stop & Go uses radar measurements to automatically maintain a pre-set speed and distance between your vehicle and the one ahead in both heavy traffic and highway driving.¹ (requires automatic or Sport Automatic transmission)

¹ Active Cruise Control is not a substitute for the driver's own responsibility in adjusting speed and otherwise controlling the vehicle. After evaluating road, traffic and visibility conditions, the driver determines whether and how the system is used.



□ **6-speed STEPTRONIC automatic transmission** provides a choice of three modes: "Drive," which incorporates BMW's Adaptive Transmission Control; "Sport" automatic, for a more dynamic shift pattern; and STEPTRONIC automatic, for the hands-on control of a manual without using a clutch. (no-cost option in all 5 Series Sedans)



□ **Steering wheel-mounted paddle shifters** allow you to shift gears manually without a clutch. This feature is included in the 535i and 550i when they are equipped with the optional 6-speed Sport Automatic transmission and Sport Package.



■ **6-speed manual transmission** delivers a precise, athletic feel. Its responsiveness is due, in part, to the enhanced synchronization of shifts from neutral to each gear. A shortened shift lever and "throw" add to the sporty feel of the gearbox. The sixth gear drops revs at highway speeds for smooth cruising.



■ **BMW Assist™²** and **Bluetooth®** system offers hands-free calling through your BMW-approved **Bluetooth** phone. The BMW Assist Safety Plan includes Automatic Collision Notification, Emergency Request, Enhanced Roadside Assistance, TeleService and more. Also available is an optional Convenience Plan with Directions and Weather information, Critical Calling and Concierge service.



□ **Comfort Access system** offers an even greater degree of convenience: keyless access to your car. Simply carrying the remote key in a pocket allows you to unlock the doors by touching the door handle. You can also turn the engine on or off by pressing the Start/Stop button³ without inserting the remote key.

³Foot must be on brake; with manual transmission, brake and clutch must be depressed in order to start.

■ Standard equipment

□ Optional equipment



□ **Lane Departure Warning feature⁴** alerts the driver by discreetly vibrating the steering wheel if the vehicle crosses lane markings without using the directional signal. (requires Premium Package in 528i, 528xi, 535i and 535xi)

⁴Requires clearly definable lane markings that are not obscured by rain, snow, etc. Lane Departure Warning feature is not a substitute for the driver's own responsibility in maintaining safe control of the vehicle.



□ **Navigation system** covers the U.S. with a single DVD. The glare-free monitor is mounted neatly into the dashboard for easy viewing. Using GPS satellites and DVD technology, a map of your area appears on the dash monitor, showing – and telling – the directions to your desired destination; it also provides Real Time Traffic Information (where available) on potential traffic problems and solutions.



□ **Head-up Display** projects important travel information, such as current speed, on the windshield directly in the driver's line of vision. Directional arrows from the Navigation system, Check Control data, and cruise control functions can also be displayed. (note: Head-up Display not available with green band windshield; requires Navigation system)



□ **20-way power multi-contour front seats⁵** for the driver and front passenger provide optimum lateral support during tight cornering – thanks to specially padded, highly contoured side bolsters – while remaining exceptionally comfortable when driving over long distances. In addition to active head restraints, the seats offer individual power adjustment for backrest and seat bottom angle; forward/backward and up/down position; thigh, upper back and lumbar support; and adjustable sides.

⁵Multi-contour seats are included in the Sport Package and available as a stand-alone option. The 528i, 528xi, 535i and 535xi Sport Packages require optional Leather upholstery or Premium Package.



□ **Heated rear seats** are a welcome cool-weather feature for left and right rear-seat occupants. With the touch of a button, passengers can individually select their preferred level of warmth. (Must be ordered with Cold Weather Package; not available with Leatherette upholstery.)



□ **Sunshades** in the rear side windows enhance passenger privacy, while reducing sun glare and interior heat.



□ **Rear fold-down seats** allow you to load long objects in the trunk by folding down one or both rear seats, as needed.

■ Standard equipment

□ Optional equipment



□ **HD Radio™** receives free, digital AM/FM broadcasts across the U.S. in clear, static-free quality sound – AM sounds like FM; FM sounds like CD. Also enjoy new “multicast” FM stations, as well as a variety of innovative data services.

Can be ordered in combination with optional Logic7 Surround Sound audio system. For more information on HD Radio receivers and to find HD Radio AM/FM stations near you, visit HDRadio.com.



□ **SIRIUS Satellite Radio** delivers nonstop sports, news/talk, entertainment, traffic/weather, and 100% commercial-free music – all day, all night, across the continental U.S. (optional on all models; factory pre-wiring for installation is standard)



■ **BMW anti-theft AM/FM stereo CD/MP3 player audio system** with 10 speakers, Auto-Store, and 3-channel FM diversity antenna system. Pre-wired for (accessory) BMW six-disc CD player/changer.



□ **Logic7 Surround Sound** anti-theft AM/FM stereo CD/MP3 player audio system provides outstanding sound with 13 speakers and the adjustable surround sound function to create a luxurious soundscape all around you. The subwoofer speakers are under the front seats and produce an authentic bass sound.



■ **Auxiliary input port** lets you connect an external audio source, such as an iPod® or MP3 player.

□ **iPod and USB adaptor** let you scroll through and select the music you want by using the car's radio controls, the multi-function steering wheel buttons or iDrive Controller. Music titles are displayed on the radio or Navigation screen.

528i/xi and 535i/xi Premium Package:

Maximize your driving satisfaction in an ambiance of total luxury. The 528i/528xi and 535i/535xi Premium Packages offer supple Dakota Leather seating with the comfort of four-way adjustable lumbar support.¹ For nighttime driving, the automatic-dimming rear-view interior and side-view exterior mirrors adjust to reduce glare. And a Universal garage-door opener offers convenience. (All items are standard in the 550i.)

¹Lumbar support std. in 535i/535xi.



Exterior power-folding side-view mirrors automatically dim when reflecting bright lights, helping to eliminate glare when driving at night.



Dakota Leather upholstery cradles driver and passengers in soft, gathered comfort. Durable and easy to maintain, a leather interior adds elegance and refinement.

FarmaSOS.com



Lumbar support for front seats adds four-way adjustable comfort for the lower back. Lumbar support can be adjusted up/down and in/out. (incl. in 528i/528xi Premium Package; std. in 535i/535xi)



Automatic-dimming rear-view mirror senses the bright headlights of vehicles behind you, and automatically darkens.



BMW Universal garage-door opener takes the place of up to three remote-control devices. It can activate remote functions outside the vehicle, such as garage-door openers or home-lighting systems.

Cold Weather Package:

Enjoy winter to the fullest with the Cold Weather Package. There's nothing like the feeling of a quick-warming seat and a heated steering wheel on a cold morning, plus the reassurance of clean, bright headlights on a stormy night.



Heated steering wheel makes gloves unnecessary for cold weather driving. A flick of the switch quickly warms the steering wheel to the perfect temperature.



Heated front seats are a welcome feature for driver and front passenger in cooler weather. With the touch of a button, seat surface and backrest are heated and quickly radiate comfortable warmth in your choice of three settings. (Heated front seats are also available as a stand-alone option)



Retractable **high-intensity headlight washers** help keep lights clear of ice, mud, road salt and other coatings, for maximum road lighting and enhanced driving safety.

528i/528xi and 535i/535xi Sport Package:¹

The 5 Series Sport Package adds a dynamic edge to these Sedans' look and performance, thanks to sporty shadowline exterior trim, 3-spoke leather-wrapped multi-function sport steering wheel, and 20-way power multi-contour front seats. In addition, the 528i and 535i Sport Packages deliver even more thrilling performance by including sport suspension calibration,² Active Roll Stabilization (ARS)² and larger, more aggressive cast alloy wheels with performance run-flat tires.³

¹528i/528xi and 535i/535xi Sport Package requires optional Leather upholstery or Premium Package.

²These features not available in 528xi and 535xi.

³Due to low-profile tires, please note: wheels, tires and suspension parts are more susceptible to road hazard and consequential damages. Performance tires not recommended for driving in ice and snow.



18 x 8.0 Star Spoke (Style 246) cast alloy wheels with 245/40R-18 run-flat performance tires.³ (528i Sport Package; optional in 528xi with Sport Package; spare is a space-saver wheel and tire)



18 x 8.0 front, 18 x 9.0 rear Star Spoke (Style 124) cast alloy wheels with 245/40R-18 front, 275/35R-18 rear run-flat performance tires.³ (535i Sport Package; optional in 535xi with Sport Package; spare is a space-saver wheel and tire)



Shadowline trim gives a sporty look to front and rear side-window frames, window recess finishers, and door-sill trim strips.



3-spoke leather-wrapped multi-function sport steering wheel lets you keep both hands on the wheel while adjusting various comfort functions, such as radio stations, CD selections and volume.



20-way power multi-contour front seats⁴ provide optimum lateral support during tight cornering, while remaining exceptionally comfortable when driving over long distances. In addition to active head restraints, the seats offer individual power adjustment for backrest and seat bottom angle; forward/backward and up/down position; thigh, upper back and lumbar support; and adjustable sides.

⁴Multi-contour seats are also available as a stand-alone option. Sport Package requires optional Leather upholstery or Premium Package.

550i Sport Package:

The 550i Sport Package heightens the athletic character of this impressive luxury-performance Sedan. The exterior is enhanced by shadowline trim and larger, more attention-grabbing cast alloy wheels with performance tires.¹ An Aerodynamic package, which includes front and rear fascias and lower side molding, befits the 550i's commanding presence. Adding a retuned sport suspension calibration and Active Roll Stabilization (ARS) gives the 550i a track-bred feel and enhanced stability. The exhaust has been tuned with a sportier sound, delivered through distinctive 550i exhaust tips. Inside, a 3-spoke, leather-wrapped multi-function sport steering wheel and 20-way power multi-contour front seats underscore its sporting nature, while a shorter throw of the gearshift knob increases driving joy for those who opt for the slick-shifting, 6-speed manual transmission.

¹Due to low-profile tires, please note: wheels, tires and suspension parts are more susceptible to road hazard and consequential damages. Performance tires not recommended for driving in ice and snow. Spare is a space-saver wheel and tire.

Shown in Carbon Black Metallic paint, exclusive to 550i Sport Package.

امداد خودرو فارما



Aerodynamic package's front air dam and bumper underscore the purposeful look of the 550i, while providing a visual clue to the power of the 4.8-liter V-8 that resides under the hood.



19 x 8.0 front, 19 x 9.5 rear Double Spoke (Style 172M) cast alloy wheels with 245/35R-19 front, 275/30R-19 rear performance tires.² (spare is a space-saver wheel and tire)

²Due to low-profile tires, please note: wheels, tires and suspension parts are more susceptible to road hazard and consequential damages. Performance tires not recommended for driving in ice and snow.



3-spoke leather-wrapped multi-function sport steering wheel lets you keep both hands on the wheel while adjusting various comfort functions, such as radio stations, CD selections and volume.



20-way power multi-contour front seats provide optimum lateral support. The seats offer power adjustment for backrest and seat bottom angle; forward/backward and up/down position; thigh, upper back and lumbar support; adjustable sides; and active head restraints.

امداد خودرو فارما



Aerodynamic package's bumper treatment and lower side molding are complemented by the handsome 19" Double-Spoke (Style 172M) cast alloy wheels, with 245/35R-19 front and 275/30R-19 rear performance tires.³

³Due to low-profile tires, please note: wheels, tires and suspension parts are more susceptible to road hazard and consequential damages. Performance tires not recommended for driving in ice and snow. Spare is a space-saver wheel and tire.

Performance and efficiency	528i	528xi	535i	535xi	550i
3.0-liter dual overhead cam (DOHC), 24-valve inline 230-horsepower 6-cylinder engine with composite magnesium/aluminum engine block, Valvetronic, and Double-VANOS steplessly variable valve timing	●	●			
3.0-liter dual overhead cam (DOHC), 24-valve inline turbocharged 300-horsepower 6-cylinder engine with twin-turbo technology, piezo direct injection, and Double-VANOS steplessly variable valve timing			●	●	
4.8-liter, 360-horsepower 32-valve V-8 engine with 4 overhead camshafts, aluminum engine block and cylinder heads, Valvetronic system, 2-stage air intake manifold, and Double-VANOS steplessly variable valve timing					●
Direct ignition system with knock control	●	●	●	●	●
Electronically controlled engine cooling (map cooling)	●	●	●	●	●
6-speed manual transmission	●	●	●	●	● ¹
6-speed STEPTRONIC automatic transmission with Sport and Manual shift modes and Adaptive Transmission Control (ATC)	▲	▲	▲	▲	▲
6-speed Sport Automatic transmission with Sport and Manual shift modes and steering wheel-mounted paddle shifters ²			○		○

Handling, ride and braking	528i	528xi	535i	535xi	550i
Aluminum double-pivot-type front suspension	●	●	●	●	●
Aluminum 4-link integral rear suspension	●	●	●	●	●
Front and rear anti-roll (stabilizer) bars	●	●	●	●	●
Aluminum front and rear subframes	●	●	●	●	●
Twin-tube gas-pressure shock absorbers	●	●	●	●	●
4-wheel ventilated anti-lock disc brakes (ABS) with Dynamic Brake Control (DBC)	●	●	●	●	●
Sport suspension calibration	□		□		
Retuned sport suspension calibration					□
Active Roll Stabilization (ARS)	□		□		□
Vehicle-speed-sensitive variable-assist (Servotronic), variable-ratio power steering	●	●	●	●	●
Active Steering with Servotronic power assist	○		○		○
Dynamic Stability Control (DSC), including Brake Fade Compensation, Start-off Assistant, Brake Drying, and Brake Stand-by features; with Dynamic Traction Control (DTC)	●	● ³	●	● ³	●
xDrive all-wheel-drive system				●	

- Standard
- Optional
- ▲ No-cost option
- ◇ Included in optional Premium Package
- Included in optional Sport Package
- ★ Included in optional Cold Weather Package

¹Sport Package with manual transmission includes shorter shifter.

²Requires Sport Package.

³Comfort Stop feature not available with xDrive vehicles.

Exterior and aerodynamics	528i	528xi	535i	535xi	550i
17 x 7.5 Star Spoke (Style 138) cast alloy wheels, 225/50R-17 all-season tires	●	●			
17 x 7.5 Star Spoke (Style 243) cast alloy wheels, 225/50R-17 all-season tires			●	●	
17 x 8.0 Star Spoke (Style 245) cast alloy wheels, 225/50R-17 all-season tires					●
18 x 8.0 Star Spoke (Style 246) cast alloy wheels, 245/40R-18 run-flat performance tires ⁴	□	○ ⁵			
18 x 8.0 front, 18 x 9.0 rear Star Spoke (Style 124) cast alloy wheels, 245/40R-18 front, 275/35R-18 rear run-flat performance tires ⁴			□	○ ⁵	
19 x 8.0 front, 19 x 9.5 rear Double Spoke (Style 172M) cast alloy wheels, 245/35R-19 front, 275/30R-19 rear performance tires ⁴					□
Halogen free-form low-beam headlights	●	●			
Xenon Adaptive Headlights with dynamic auto-leveling and Cornering Lights function	○	○	●	●	●
Automatic headlight control	●	●	●	●	●
High-beam Assistant	○ ⁶	○ ⁶	○ ⁷	○ ⁷	○
High-pressure headlight cleaning system	★	★	★	★	★
Halogen free-form foglights	●	●	●	●	●
Park Distance Control (front and rear) with graphic display	○	○	○	○	●
Rain-sensing windshield wipers with adjustable speed	●	●	●	●	●
Power adjustable, heated, body-color side-view mirrors	●	●	●	●	●
Metallic paint	●	●	●	●	●
Chrome Line exterior trim	●	●	●	●	●
Shadowline exterior trim	□	□	□	□	□
Aerodynamic package					□
Distinctive dual exhaust tips					□

Interior seating	528i	528xi	535i	535xi	550i
Leatherette upholstery	●	●	●	●	
Dakota Leather upholstery and door trim	○/◇	○/◇	○/◇	○/◇	●
Split-folding lockable rear seats and ski bag	○	○	○	○	○
10-way power front seats with power head restraints	●	●	●	●	●
4-way power lumbar support for front seats	◇	◇	●	●	●
20-way power multi-contour front seats (includes articulated upper backrest, 4-way lumbar support, passenger's-seat memory, active head restraints, and adjustable side and thigh support)	○ ⁸ /□ ⁸	○ ⁸ /□ ⁸	○ ⁸ /□ ⁸	○ ⁸ /□ ⁸	○/□
Memory system for driver's seat, side-view mirrors, and steering wheel position	●	●	●	●	●
Open storage compartments in all doors and front seatback storage	●	●	●	●	●
Adjustable front center armrest	●	●	●	●	●
Dual center console compartments with provision for phone handset	●	●	●	●	●
Fold-up rear seat center armrest	●	●	●	●	●

⁴ Due to low-profile tires, please note: wheels, tires and suspension parts are more susceptible to road hazard and consequential damages. Performance tires not recommended for driving in ice and snow. Spare is a space-saver wheel and tire.

⁵ Requires Sport Package.

⁶ Requires Xenon headlights and Premium Package.

⁷ Requires Premium Package.

⁸ Requires Dakota Leather upholstery.

Comfort and convenience	528i	528xi	535i	535xi	550i
Automatic climate control with separate left/right temperature and air distribution controls, with automatic air recirculation	●	●	●	●	●
Micro-filter ventilation system with replaceable active-charcoal filters	●	●	●	●	●
2-way power glass moonroof with remote, expanded "one-touch" operation, anti-trapping feature, and sliding interior sunshade	●	●	●	●	●
Automatic tilt-down of passenger's side-view mirror (when car is shifted into reverse gear)	●	●	●	●	●
Power tilt and telescopic steering wheel with automatic tilt-up	●	●	●	●	●
Power windows with key-off and "one touch" up and down operation both front and rear, anti-trapping feature, opening from remote, and closing from exterior lock	●	●	●	●	●
Power rear-window sunshade and manual rear side-window sunshades with 2 shade sections per door	○	○	○	○	○
Keyless entry with multi-function remote control	●	●	●	●	●
Comfort Access keyless entry with multi-function remote control	○	○	○	○	○
Interior courtesy lights with automatic dimming function	●	●	●	●	●
Front map lights and rear reading lights with separate controls for the left and right	●	●	●	●	●
Automatic-dimming interior rear-view mirror and power-folding exterior side-view mirrors	◇	◇	◇	◇	●
Dual front sun visors with illuminated mirrors	●	●	●	●	●
Dual cupholders in front and rear	●	●	●	●	●
3-stage heated front seats	○★	○★	○★	○★	○★
3-stage heated rear seats ⁹	○ ¹⁰	○ ¹⁰	○ ¹⁰	○ ¹⁰	○
Heated steering wheel	★	★	★	★	★
Fully finished trunk with drop-down tool kit and interior trunk release	●	●	●	●	●
Integrated 3-button Universal garage-door opener	◇	◇	◇	◇	●
Power outlet in front passenger's footwell, back of center console, and in trunk	●	●	●	●	●
Glove compartment	●	●	●	●	●

تلفن شماره روزی: ۰۲۱-۸۸۸۶۲۰۸۵

Audio system	528i	528xi	535i	535xi	550i
Anti-theft AM/FM stereo/CD audio system with 10 speakers, Auto-Store, FM diversity antenna system, and MP3 capabilities	●	●	●	●	●
Logic7 sound system with 13 speakers, Surround Sound, and Digital Sound Processing (including two subwoofers)	○	○	○	○	○
iPod® and USB adaptor (includes cable connector)	○	○	○	○	○
6-disc CD changer mounted in glove compartment	▲	▲	▲	▲	▲
Pre-wiring for BMW center installation of BMW 6-disc CD changer and SIRIUS Satellite Radio	●	●	●	●	●
Auxiliary audio input for portable music players	●	●	●	●	●
HD Radio™ – receive free, digital AM/FM broadcasts in clear, static-free quality sound; "multicast" FM stations; and innovative data services; can be ordered in combination with optional Logic7 Surround Sound audio system	○	○	○	○	○
SIRIUS Satellite Radio ¹¹	○△	○△	○△	○△	○△

- Standard
- Optional
- ▲ No-cost option
- ◇ Included in optional Premium Package
- Included in optional Sport Package
- ★ Included in optional Cold Weather Package
- △ Dealer-installed accessory

⁹Requires Cold Weather Package.

¹⁰Requires Dakota Leather upholstery.

¹¹Please visit your authorized BMW center for details on equipment and services requirements.

Instrumentation and controls	528i	528xi	535i	535xi	550i
3-spoke leather-wrapped multi-function steering wheel with controls for audio system, cruise control, and Bluetooth ® wireless communication for hands-free mobile phone ¹²	●	●	●	●	●
3-spoke leather-wrapped multi-function sport steering wheel with controls for audio system, cruise control, and Bluetooth ® wireless communication for hands-free mobile phone ¹²	□	□	□	□	□
Electronic analog speedometer and tachometer and LCD main and trip odometers	●	●	●	●	●
Check Control vehicle monitor system	●	●	●	●	●
Start/Stop button	●	●	●	●	●
Head-up Display (HUD) ¹³	○	○	○	○	○
Night Vision ¹⁴	○	○	○	○	○
iDrive system with on-board computer and Controller, and 6 programmable memory buttons	●	●	●	●	●
Exterior temperature display with alarm for freezing temperatures	●	●	●	●	●
Active Cruise Control (ACC) with Stop & Go ¹⁵	○	○	○	○	○
BMW Navigation system with controller with voice feedback, Voice Command System and Real Time Traffic Information	○	○	○	○	○
Vehicle & Key Memory	●	●	●	●	●
Tire Pressure Monitor	●	●	●	●	●

Safety and security	528i	528xi	535i	535xi	550i
Driver's and passenger's front airbag supplemental restraint system (SRS) with advanced technology: dual-threshold, dual-stage deployment; and front-passenger seat sensors designed to prevent unnecessary airbag deployment	●	●	●	●	●
Front- and rear-seat Head Protection System	●	●	●	●	●
Front-seat side-impact airbags	●	●	●	●	●
Rear-seat side-impact airbags and automatic pretensioners on rear outboard safety belts	○	○	○	○	○
Lane Departure Warning feature that alerts the driver of an improper lane-changing maneuver ¹⁶	○ ¹⁷	○ ¹²	○ ¹⁷	○ ¹⁷	○
Front safety belts with automatic pretensioners	●	●	●	●	●
Active Head Restraints in front seats ¹⁸	○ ¹⁰ /□ ¹⁰	○ ¹⁰ /□ ¹⁰	○ ¹⁰ /□ ¹⁰	○ ¹⁰ /□ ¹⁰	○/□
Automatic locking retractors (ALR) on all passenger-seat safety belts (for installation of child-restraint seats)	●	●	●	●	●
Interlocking door anchoring system to help protect against door intrusion in side impacts	●	●	●	●	●
BMW's Advanced Safety System for integrated deployment of passive and active safety features	●	●	●	●	●
Impact sensor that activates Battery Safety Terminal disconnect of alternator, fuel pump and starter from battery; and turns on hazard lights, interior lights and unlocks doors	●	●	●	●	●
Coded Driveway Protection (prevents engine start when your key with constantly changing electronic code is not used)	●	●	●	●	●
Remote keyless entry security alarm system with selective unlocking and double-lock feature (programmed at BMW center), remote trunk opening, interior motion detector, and panic feature	●	●	●	●	●
Adaptive Brake Lights	●	●	●	●	●
BMW Assist TM with Bluetooth ® wireless technology for hands-free calling (with Bluetooth -enabled mobile phone ¹²), phonebook downloading and speech recognition capabilities	●	●	●	●	●

BMW Services	528i	528xi	535i	535xi	550i
BMW Ultimate Service TM	●	●	●	●	●

¹²If so equipped. Check for a list of BMW-compatible **Bluetooth**-enabled mobile phones at your authorized BMW center or bmwusa.com.

¹³Requires Navigation system; not available with green band windshield.

¹⁴Requires Navigation system and Cold Weather Package.

¹⁵Requires STEPTRONIC automatic or Sport Automatic transmission. Active Cruise Control is not a substitute for the driver's own responsibility in adjusting speed and otherwise controlling the vehicle. After evaluating the road, traffic and visibility conditions, the driver decides whether and how the system is used.

¹⁶Requires clearly definable lane markings that are not obscured by rain, snow, etc. Lane Departure Warning feature is not a substitute for the driver's own responsibility in maintaining safe control of the vehicle.

¹⁷Requires Premium Package.

¹⁸Included with 20-way multi-contour front seats.

Premium Packages	528i	528xi	535i	535xi	550i
Dakota Leather upholstery and door trim	○◇	○◇	○◇	○◇	●
4-way power lumbar support for front seats	◇	◇	●	●	●
Integrated 3-button Universal garage-door opener	◇	◇	◇	◇	●
Automatic-dimming interior rear-view mirror and power-folding exterior side-view mirrors	◇	◇	◇	◇	●

Sport Packages	528i ²¹	528xi ²¹	535i ²¹	535xi ²¹	550i
18 x 8.0 Star Spoke (Style 246) cast alloy wheels, 245/40R-18 run-flat performance tires ^{22, 23}	□	○ ²⁴			
18 x 8.0 front, 18 x 9.0 rear Star Spoke (Style 124) cast alloy wheels, 245/40R-18 front, 275/35R-18 rear run-flat performance tires ^{22, 23}			□	○ ²⁴	
19 x 8.0 front, 19 x 9.5 rear Double Spoke (Style 172M) cast alloy wheels, 245/35R-19 front, 275/30R-19 rear performance tires ^{22, 23}					□
3-spoke leather-wrapped multi-function sport steering wheel with controls for audio system, cruise control, and Bluetooth [®] wireless communication for hands-free mobile phone ²⁵	□	□	□	□	□
20-way power multi-contour front seats (includes articulated upper backrest, 4-way lumbar support, passenger's-seat memory, active head restraints, and adjustable side and thigh support)	○ ²¹ /□ ²¹	○ ²¹ /□ ²¹	○ ²¹ /□ ²¹	○ ²¹ /□ ²¹	○/□
Active Roll Stabilization (ARS)	□		□		□
Sport suspension calibration	□		□		
Shadowline exterior trim	□	□	□	□	□
Aerodynamic package					□
Retuned sport suspension calibration					□
Shorter shifter for manual transmission					□
Distinctive dual exhaust tips					□

Cold Weather Package	528i	528xi	535i	535xi	550i
3-stage heated front seats	○★	○★	○★	○★	○★
High-pressure headlight cleaning system	★	★	★	★	★
Heated steering wheel	★	★	★	★	★

- Standard
- Optional
- ▲ No-cost option
- ◇ Included in optional Premium Package
- Included in optional Sport Package
- ★ Included in optional Cold Weather Package
- △ Dealer-installed accessory

²¹ Requires Dakota Leather upholstery.

²² Due to low-profile tires, please note: wheels, tires and suspension parts are more susceptible to road hazard and consequential damages. Performance tires not recommended for driving in ice and snow.

²³ Spare is a space-saver wheel and tire.

²⁴ Requires Sport Package.

²⁵ If so equipped. Check for a list of BMW-compatible **Bluetooth**-enabled mobile phones at your authorized BMW center or bmwusa.com.

Stand-alone optional equipment	528i	528xi	535i	535xi	550i
6-speed STEPTRONIC automatic transmission with Sport and Manual shift modes and Adaptive Transmission Control (ATC)	▲	▲	▲	▲	▲
6-speed Sport Automatic transmission with Sport and Manual shift modes and steering wheel-mounted paddle shifters ²⁴			○		○
Active Steering with Servotronic power assist	○		○		○
Xenon Adaptive Headlights with dynamic auto-leveling	○	○	●	●	●
High-beam Assistant	○ ²⁶	○ ²⁶	○ ²⁷	○ ²⁷	○
Park Distance Control (front and rear) with graphic display	○	○	○	○	●
Dakota Leather upholstery and door trim	○	○	○	○	●
Light Poplar Wood interior trim	▲	▲	▲	▲	▲
Bamboo Anthracite Wood interior trim	▲	▲	▲	▲	▲
Split-folding lockable rear seats and ski bag	○	○	○	○	○
20-way power multi-contour front seats (includes articulated upper backrest, 4-way lumbar support, passenger's-seat memory, active head restraints, and adjustable side and thigh support)	○ ²¹	○ ²¹	○ ²¹	○ ²¹	○
Power rear-window sunshade and manual rear side-window sunshades with 2 shade sections per door	○	○	○	○	○
Comfort Access keyless entry with multi-function remote control	○	○	○	○	○
3-stage heated front seats	○	○	○	○	○
3-stage heated rear seats ²⁸	○ ²¹	○ ²¹	○ ²¹	○ ²¹	○
Logic7 sound system with 13 speakers, Surround Sound, and Digital Sound Processing (including two subwoofers)	○		○	○	○
iPod® and USB adaptor (includes cable connector)	○	○	○	○	○
HD Radio™ – receive free, digital AM/FM broadcasts in clear, static-free quality sound; "multicast" FM stations; and innovative data services; can be ordered in combination with optional Logic7 Surround Sound audio system	○	○	○	○	○
SIRIUS Satellite Radio ²⁹	○	○	○	○	○
Head-up Display (HUD) ³⁰	○	○	○	○	○
Night Vision ³¹	○	○	○	○	○
Active Cruise Control (ACC) with Stop & Go ³²	○	○	○	○	○
BMW Navigation system with controller with voice feedback, Voice Command System and Real Time Traffic Information	○	○	○	○	○
Rear-seat side-impact airbags and automatic pretensioners on rear outboard safety belts	○	○	○	○	○
Lane Departure Warning feature that alerts the driver of an improper lane-changing maneuver ³³	○ ²⁷	○ ²⁷	○ ²⁷	○ ²⁷	○

²⁶Requires Xenon headlights and Premium Package.

²⁷Requires Premium Package.

²⁸Requires Cold Weather Package.

²⁹Please visit your authorized BMW center for details on equipment and services requirements.

³⁰Requires Navigation system; not available with green band windshield.

³¹Requires Navigation system and Cold Weather Package. Night Vision performance is limited by rain, fog, humidity and other weather conditions.

³²Requires STEPTRONIC automatic or Sport Automatic transmission. Active Cruise Control is not a substitute for the driver's own responsibility in adjusting speed and otherwise controlling the vehicle. After evaluating road, traffic and visibility conditions, the driver decides whether and how the system is used.

³³Requires clearly definable lane markings that are not obscured by rain, snow, etc. Lane Departure Warning feature is not a substitute for the driver's own responsibility in maintaining safe control of the vehicle.

Weight		528i	528xi	535i	535xi	550i
Unladen						
Manual transmission	lbs	3505	3670	3660	3902	3946
STEPTRONIC automatic transmission	lbs	3571	3704	3703	3946	3968
Sport Automatic transmission	lbs			TBD		TBD
Weight distribution, front/rear						
Manual transmission	%	49.7/50.3	51.8/48.2	51.2/48.8	53.1/46.9	51.4/48.6
STEPTRONIC automatic transmission	%	50.3/49.7	52.0/48.0	51.8/48.2	53.4/46.6	51.7/48.3
Sport Automatic transmission	%			51.8/48.2		51.7/48.3

Engine		528i	528xi	535i	535xi	550i
Liter/type		3.0/inline 6	3.0/inline 6	3.0/inline 6	3.0/inline 6	4.8/V-8
Bore/stroke	inch	3.35x3.46	3.35x3.46	3.31x3.53	3.31x3.53	3.66x3.48
Nominal output/rpm	hp	230/6500	230/6500	300/5800	300/5800	360/6300
Max. torque/rpm	lb-ft	200/2750	200/2750	300/1400-5000	300/1400-5000	360/3400
Compression ratio	:1	10.7	10.7	10.2	10.2	10.5
Fuel grade		unleaded premium	unleaded premium	unleaded premium	unleaded premium	unleaded premium

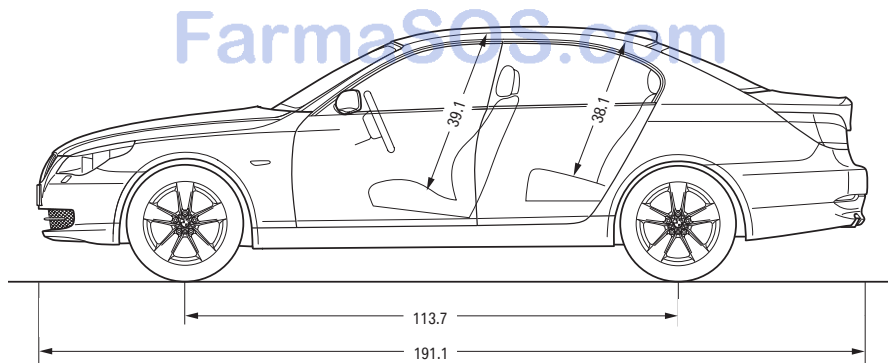
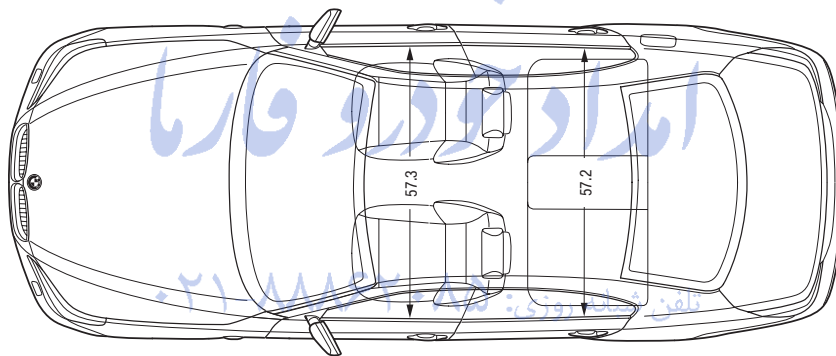
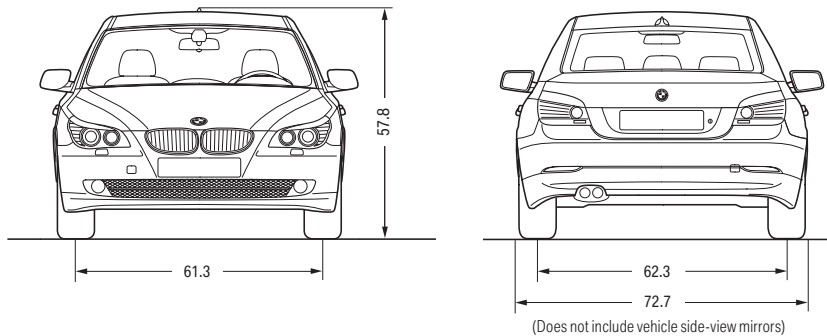
Transmission		528i	528xi	535i	535xi	550i
Manual gear ratios	I/II/III:1	4.32/2.46/1.66	4.35/2.50/1.67	4.06/2.40/1.58	4.06/2.40/1.58	4.06/2.40/1.58
	IV/V/VI/R:1	1.23/1.00/0.85/3.94	1.23/1.00/0.85/3.93	1.19/1.00/0.87/3.68	1.19/1.00/0.87/3.68	1.19/1.00/0.87/3.68
	Final drive ratio:1	3.38	3.46	3.08	3.08	2.93
STEPTRONIC automatic gear ratios	I/II/III:1	4.17/2.34/1.52	4.17/2.34/1.52	4.17/2.34/1.52	4.17/2.34/1.52	4.17/2.34/1.52
	IV/V/VI/R:1	1.14/0.87/0.69/3.40	1.14/0.87/0.69/3.40	1.14/0.87/0.69/3.40	1.14/0.87/0.69/3.40	1.14/0.87/0.69/3.40
	Final drive ratio:1	3.73	3.91	3.64	3.46	3.38

Performance		528i	528xi	535i	535xi	550i
Drag coefficient	C_d	0.29 (0.28)	0.29 (0.28)	0.29	0.31	0.29
Top speed ¹	mph	150	150	150	150	150
Acceleration 0–60 mph ²						
Manual transmission	sec	6.5	7.1	5.6	5.5	5.4
STEPTRONIC automatic transmission	sec	7.1	7.6	5.7	5.6	5.5
Sport Automatic transmission	sec			TBD		TBD

Fuel consumption ³		528i	528xi	535i	535xi	550i
Manual transmission						
City/highway	mpg	18/28	17/25	17/26	16/25	15/22
STEPTRONIC automatic transmission						
City/highway	mpg	18/27	17/25	17/26	17/25	15/23
Fuel capacity	gal	18.5	18.5	18.5	18.5	18.5

Tires and wheels		528i	528xi	535i	535xi	550i
Tire dimensions	standard	225/50R-17	225/50R-17	225/50R-17	225/50R-17	225/50R-17
Wheel dimensions	standard	17x7.5	17x7.5	17x7.5	17x7.5	17x8.0
Material	standard	cast alloy	cast alloy	cast alloy	cast alloy	cast alloy

Brakes		528i	528xi	535i	535xi	550i
Front – diameter	in	12.8	12.8	13.7	13.7	13.7
Rear – diameter	in	12.6	12.6	13.6	13.6	13.6



All dimensions are shown in inches and apply to models with standard wheels.
 NOTE: Measurements do not include vehicle width from mirror to mirror.

Figures in () apply to vehicles with automatic transmission, if different from manual transmission.

¹Top speed limited electronically.

²BMW AG test results. Actual acceleration results may vary, depending on specification of vehicle; road and environmental conditions; testing procedures and driving style. These results should be used for comparison only and verification should not be attempted on public roads. BMW urges you to obey all posted speed laws and always wear safety belts.

³EPA-estimated figures are for comparison purposes only. Your actual mileage will vary, depending on speed, driving habits, trip length and driving conditions; actual mileage will most likely be lower.

More about BMW

bmwusa.com
1-800-334-4BMW



The Ultimate
Driving Machine®

BMW and the environment.

BMW is a strong proponent of the environment and social responsibility. It is important to manage the earth's resources responsibly, and not jeopardize the needs of future generations. That is why BMW makes vehicles that minimize adverse environmental impact, from production (pollution prevention and waste minimization at the plant) through owner use (low emissions) to eventual disposal (easy drainability of all fluid-related components and easy neutralization of all pyrotechnic devices).

This effort has been recognized worldwide and, as a result, we are pleased to have received numerous environmental honors. In the U.S., for example, the Environmental Protection Agency accepted BMW's Spartanburg, SC production and manufacturing facility as a charter member of the agency's National Environmental Performance Track. Internationally, BMW AG – the parent company of both BMW of North America and BMW Manufacturing Co., Spartanburg, SC – was the first automotive company to be represented on the Dow Jones Sustainability Group Index, and has remained on the Index ever since. At BMW, we strive for high performance in everything we do.

U.S. Importer: BMW of North America, LLC, Woodcliff Lake, NJ 07677. All illustrations and specifications contained in this brochure are based on the latest product information available at the time of printing. BMW reserves the right to make changes at any time, without notice, in colors, materials, equipment, specifications and models. BMW may, subject to legal requirements, determine the Model Year designation of its vehicles. The Model Year designation on any particular model may be longer or shorter than 12 months. Some vehicles pictured may contain non-U.S. equipment. Some models may be shown with optional equipment. While BMW NA makes all reasonable efforts to provide accurate information in this brochure, there is no guarantee or warranty of accuracy. Furthermore, we do not assume any liability for the accuracy or completeness of information presented. This brochure shall not be used or relied upon as a substitute for information that is available from your BMW center. Further information can be obtained from your authorized BMW center or bmwusa.com.

©2007 BMW of North America, LLC. Not to be reproduced wholly or in part without written permission of BMW NA. The BMW name, model names and logo are registered trademarks.

The Bluetooth word mark and logos are owned by the Bluetooth SIG, Inc. and any use of such marks by BMW is under license. Other trademarks and trade names are the property of their respective owners.

BMW recommends Castrol

┌

└