

2008 BMW
7 Series Sedan



The Ultimate
Driving Machine®

750i
750Li
760Li



ایران خودرو فارما
۰۲۱ ۸۸۸۶۲۷۰۵
FarmaSO.com

امداد خودرو فارس

تلفن شبانه روزی: ۰۸۵-۸۸۶۲۰۸۵

ParmaSOS.com







آزمودنی‌ها

تلفن شبانه روزی: ۰۲۱-۸۸۸۶۲۰۸۵

FarmaSOS.com

امداد خودرو فارما

تلفن شبانه روزی: ۰۸۵-۸۸۸۶۲۰۲۱

www.farmad.com



امداد خودرو فارا

تلفن شبانه روزی: ۰۲۱-۸۸۴۲۰۸۵



ایراد خودروها

این شماره روزی ۸۵-۸۸۷۶۲۰۱۱

FarsaSOS.com





ایراد خودرو فارما

تلفن شبانه روزی: ۰۸۵-۸۸۶۲۰۸۵

FarmaSOS.com

We've reserved the best seat for you.

Interior colors		Nasca Leather					
Upholstery colors		Cream Beige	Beige	Flannel Gray	Lava Blue	Natural Brown	Black
Exterior colors							
300	Alpine White Non-metallic	•	•	•	•	•	•
668	Jet Black Non-metallic	•	•	•	•	•	•
354	Titanium Silver Metallic			•	•		•
472	Sterling Gray Metallic	•	•	•			•
A36	Titanium Gray Metallic	•	•	•			•
481	Kalahari Beige Metallic	•	•			•	•
A38	Michigan Blue Metallic	•	•	•	•		•
482	Toledo Blue Metallic	•	•	•		•	•
A35	Monaco Blue Metallic	•	•	•		•	•
A39	Barbera Red Metallic	•	•	•		•	•
A43	Deep Green Metallic	•	•	•			
475	Black Sapphire Metallic	•	•	•	•	•	•

امداد خودرو فارما
تلفن شبانه روزی: ۰۲۱-۸۸۸۶۲۰۸۵

FarmaSOS.com

Please see the preceding pages for the most recent information regarding the ordering availability of 7 Series upholstery and trims.

Note: Interior upholstery colors not available with all exterior paint finishes. This brochure shows the current recommended combinations of colors and materials. Specifications listed are subject to change without notice. See your local BMW center for accurate details. Since exterior paint samples and colors printed on paper can never perfectly match paint finishes and upholstery, we suggest you visit your local authorized BMW center to view the actual colors.

Equipment



■ **Xenon Adaptive Headlights** illuminate the road ahead and to the side with brilliant clarity; Xenon low- and high-beam headlights also have an auto-leveling feature. **BMW Adaptive Headlights** illuminate the road around corners by directing the headlights into and through the bend, as soon as the vehicle begins cornering.



■ **Rear deck** underscores the low, wide contours of the 7 Series Sedan. The dynamic effect is enhanced by the positioning of BMW's signature, "inverted L"-shape rear lights.



■ **Exterior side-view mirrors** are power adjustable, heated, and automatically dim when reflecting bright lights – helping to eliminate glare when driving at night. Both body-color mirrors have a folding function, moving in and folding out again at the touch of a button.



■ **Halogen foglights** are cleanly integrated in the front air dam. Ellipsoid free-form technology ensures an even spread of light onto the road for extra safety in bad weather and poor visibility.



■ **18 x 8.0 Star Spoke (Style 175) cast alloy wheels and 245/50R-18 all-season tires.** (standard on 750i/750Li; not available on 760Li)



□ **20" Double Spoke (Style 149) cast alloy wheels and performance tires.¹** Front: 20 x 9.0 wheels, 245/40R-20 tires; rear: 20 x 10.0 wheels, 275/35R-20 tires. (included in 750i/750Li Sport Package)



■ **19" Star Spoke (Style 89) cast alloy wheels and performance tires.¹** Front: 19 x 9.0 wheels, 245/45R-19 tires; rear: 19 x 10.0 wheels, 275/40R-19 tires. (std. on 760Li; not available on 750i/750Li)



□ **18 x 8.0 Exclusive Spoke (Style 91) cast alloy wheels and 245/50R-18 all-season tires.** (no-cost opt. on 760Li; not available on 750i/750Li)



□ **19" Star Spoke (Style 231) cast alloy wheels and performance tires.¹** Front: 19 x 9.0 wheels, 245/45R-19 tires. rear: 19 x 10.0 wheels, 275/40R-19 tires. (opt. on 750i/750Li; not available on 760Li)

¹Due to low-profile tires, please note: wheels, tires and suspension parts are more susceptible to road hazard and consequential damages. Performance tires not recommended for driving in snow and ice conditions.

■ Standard □ Optional (or included in a package)



■ **Multi-function steering wheel** buttons let you select a transmission mode; access Voice Activation; conduct an audio search; adjust the sound volume of audio and Navigation system; and also access your own, individually programmed functions.



■ **Engine Start/Stop button and remote** key control the engine. First insert the remote key into the starter switch slot. After the electronic identification system confirms that it is the correct remote key, you can start or turn off the engine by pressing the Start/Stop button.



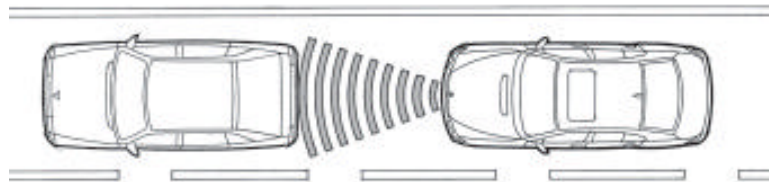
■ **Instrument cluster** is shown in both analog (mechanical dial) and LCD format for clear, glare-free presentation of data from the on-board computer, Navigation system, etc. For optimum clarity, the display changes color and brightness, depending on ambient light.



■/□ **Heated steering wheel** is a welcome pleasure whenever there is a chill in the air. The switch is conveniently placed on the left side of the steering column. (std. in 760Li; included in 750i/750Li Luxury Seating Package or Cold Weather Package)



■ **Programmable cruise control** can be pre-programmed with up to six cruising speeds. It can retrieve them at any time by pushing the stalk forward or pulling it back. Pre-programmed speeds appear as arrows along the speedometer scale.



□ **Active Cruise Control** allows the driver to set a desired speed that is automatically maintained in free-flowing traffic. However, as the 7 Series Sedan approaches a slower-moving vehicle ahead, a radar sensor in the front bumper alerts the system. Active Cruise Control will then act to match the speed of the slower vehicle, and remain a set distance behind, pre-selected by the driver. As soon as the lane ahead is clear, Active Cruise Control automatically returns the car to the set speed.¹

¹Active Cruise Control is not a substitute for the driver's own responsibility in adjusting speed and otherwise controlling the vehicle. After evaluating road, traffic and visibility conditions, the driver decides whether and how the system is used.



■ **Navigation system** presents all information on the glare-free Control Display. Directions are given by a voice computer, as well as by a direction arrow or map. Simplified route instructions also appear in the tachometer face. (European screen shown)



■ **Park Distance Control** uses ultrasonic sensors in both bumpers to help you judge the distance to cars and unseen objects when parking. The beeping becomes faster as your bumper approaches the object, turning into a constant tone when it's less than 12" away.



■ **Voice Activation** allows you to activate numerous Navigation system functions, record up to five minutes of notes, and dial hands-free. The Voice Activation button must be pressed before each use, so conversations won't accidentally activate the phone or other systems.

□ **Comfort Access system** offers a greater degree of convenience: keyless access to your car. Simply by carrying the remote key in a pocket allows you to lock/unlock the doors and trunk by pressing/pushing the door handle or trunk button. You can also turn the engine on or off by pressing the Start/Stop button without inserting the remote key.

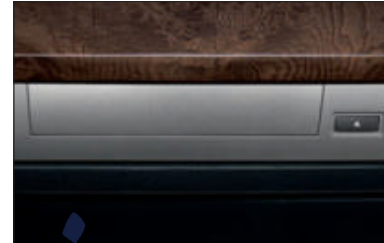




■ **Standard audio system** generates powerful sound through 10 speakers, including midrange speakers in each front door and each side of rear hat-shelf; tweeters in the front door mirror triangles; and subwoofers under the front seats. (750i/750Li)



■ **Standard in-dash CD player** lets you change CDs at a moment's notice.



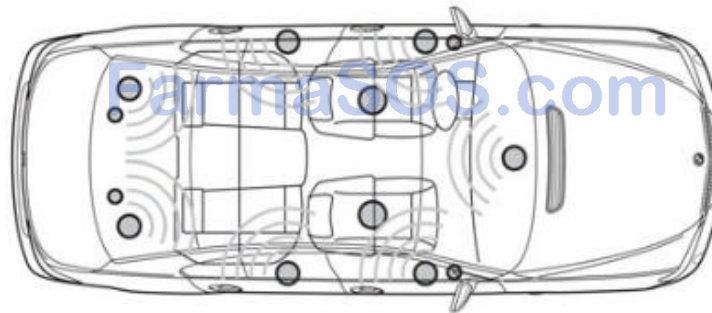
■/□ **Six-disc CD changer** is included with the optional Logic7 premium audio system. Conveniently located above the glove compartment, it lets you enjoy over six continuous hours of your favorite music and is capable of MP3 playback. (std. in 760Li; opt. in 750i/750Li)



□ **SIRIUS Satellite Radio** delivers nonstop sports, news/talk, traffic/weather, entertainment, and 100% commercial-free music – all day, all night, across the continental U.S.

■/□ **Logic7 premium audio system** creates truly astonishing 360° "Surround Sound" through 13 upgraded speakers and state-of-the-art audio technology. Includes all features of the standard sound system, plus a six-disc CD changer with MP3 capability and Digital Sound Processing. (std. in 760Li; opt. in 750i/750Li)

□ **HD Radio™** (not shown) delivers true CD-quality sound from free, digital broadcasts; "multicast" FM stations; and enhanced audio from analog AM and FM. (can be ordered in combination with Logic7 Surround Sound audio system)



■ **Power seat adjustment switches** are located on the sides of the center console (optional rear-seat power controls are on the rear center armrest). Two-driver memory settings include seat- and mirror-angle adjustments. (Luxury Seating Package shown)



■ **16-way power front Comfort seats with four-way lumbar support;** includes a separately adjustable upper backrest, adjustable thigh support, adjustable backrest width, active head restraints and passenger's-seat memory.



■/□ **10-way power rear Comfort seats with four-way lumbar support;** includes power headrests, two-passenger memory, safety-belt pretensioners, adjustable heating and rear-seat ventilation. Also includes a switch that moves and adjusts the front passenger's seat. (std. in 760Li; opt. in 750Li; not available in 750i)



■/□ **Ventilated front seats** gently blow air upward through the microperforated leather to help keep you comfortably dry in hot weather. (std. in 760Li; opt. in 750i/750Li)



■ **Heated front seats** offer three levels of warmth at the touch of a button. Using the iDrive Controller and Control Display, the relative heating levels between the seat cushions and backrests can be balanced.



■/□ **Active driver seat** helps decrease stiffness or fatigue on long trips. When activated, the driver's seat continuously, imperceptibly raises and lowers the seat surface from side to side, keeping your spine in motion and exercising various support muscles. (std. in 760Li; opt. in 750i/750Li)



■ **Automatic front climate control**, adjusted through dash-mounted dials or the iDrive system, keeps the 7 Series cabin comfortable by adjusting left/right and front/rear temperature settings, air-flow volume and distribution, automatic recirculation control, heat at rest, adjustable air outlets in the B pillars, and more.



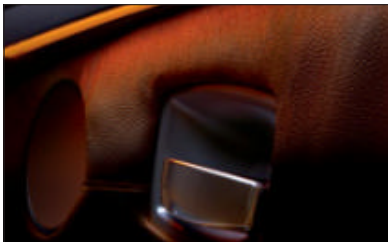
■ **Center front storage console/armrest** is uncommonly spacious. Opposite-opening lids cover a climate-controlled, lighted interior. The console includes a coin box and trunk release lockout. Both lids lock, so valuables can be securely stored when using valet parking.



■ **Glove compartment** is thoughtfully illuminated and includes a convenient removable, rechargeable flashlight.



■ **Interior door handles** are sculpted to enhance the look of the front and rear cabins. They are made easier to find at night by the soft glow of the cabin's Ambiance Lighting.



■ **Ambiance Lighting** bathes all four door panels and the front and rear center console in soft, dramatic LED light.



■ **Power glass moonroof** slides rearward or tilts up at a touch to let in as much fresh air and sky as you like, while a wind deflector helps keep the wind out. Includes a sliding interior sunshade and anti-trapping feature.



■/□ **Power sunshades** for the rear window and rear side windows provide optimum protection from sun glare and heat, while allowing extra privacy for rear-seat occupants. Rear shade raises or lowers at a touch; if the switch is held down, the side shades (two shades per each rear side window) join in the motion. Each rear door has switches that control all the shades. A child-safety switch disables operation. (std. in 760Li; opt. in 750i/750Li and included in 750i/750Li Luxury Seating Package)



■ **Vanity mirror** is positioned in the rear roof lining for the convenience of back-seat occupants. Centrally positioned, it swivels and illuminates.



■/□ **Ski bag** helps to allow the clean, secure transport of skis, ski poles, snowboards and other long, thin objects. (std. in 760Li;¹ included in 750i/750Li Luxury Seating Package or Cold Weather Package)

¹ If optional coolbox is ordered in 760Li, ski bag feature is deleted.



■ **Rear cupholders** pop out of the center of the rear seat and retract when not in use.

Luxury Seating Package

Maximize the 750i/750Li's supreme riding comfort with the Luxury Seating Package. These seats will help you arrive at your destination refreshed and comfortable. And for driving in colder weather, enjoy the added pleasure of heated front and rear outboard seats, and a heated steering wheel. The convenience of a ski bag and power rear sunshades, also included in the package, will make any driving trip a pleasurable experience. (Note: functional only on the four outboard seats.) (750i/750Li only; standard in 760Li)



Ventilated front seats gently circulate a flow of air upward through the microperforated leather to help keep you comfortably dry in hot weather. **Heated front and rear seats** offer three levels of warmth. The heating levels between the cushions and backrests of both front seats can be balanced. (Upholstery shown: Beige Nasca Leather)



Active driver seat helps decrease stiffness or fatigue on long trips by gently raising and lowering the seat surface from side to side, keeping your spine in motion and exercising various support muscles.



Heated steering wheel is a welcome pleasure whenever there is a chill in the air. The switch is conveniently placed on the left side of the steering column. (also included in Cold Weather Package; see page 85 for more details on Cold Weather Package)



Ski bag helps to allow the clean, secure transport of skis, ski poles, snowboards and other long, thin objects. (also included in Cold Weather Package; see page 85 for more details on Cold Weather Package. If optional coolbox option is ordered, ski bag feature is deleted.)



Power sunshades for the rear window and rear side windows provide protection from sun glare and heat, while affording privacy for rear-seat occupants. Rear shade raises or lowers at a touch; if the switch is held down, the side shades (two shades per each rear side window) join in the motion. A child-safety switch disables operation.

750i/750Li Sport Package

The 750i/750Li Sport Package adds a specially tuned sport suspension for more dynamic performance, and sporty features for a more aggressive look, to match. Outside, the Sport Package includes alloy wheels and Dark High-Gloss shadowline exterior trim; inside, you'll appreciate a handsome three-spoke sport steering wheel. (750i/750Li only)



Three-spoke multi-function sport steering wheel adds to the sporty look of the interior. Multi-function buttons let you keep both hands on the wheel while adjusting audio settings, cruise control, and more.



High-Gloss shadowline exterior trim complements the larger, aggressive 20" wheels and performance tires to give the 750i/750Li Sedan a more dynamic exterior appearance.

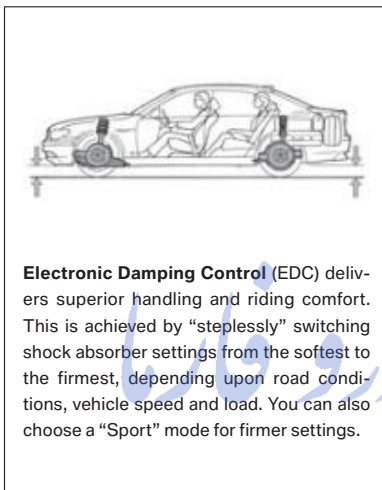


20" Double Spoke (Style 149) cast alloy wheels and performance tires.¹ Front: 20 x 9.0 wheels, 245/40R-20 tires; rear: 20 x 10.0 wheels, 275/35R-20 tires.

¹Due to low-profile tires, please note: wheels, tires and suspension parts are more susceptible to road hazard and consequential damages. Performance tires not recommended for driving in snow and ice conditions.

Adaptive Ride Package

Both the driver and the passengers will appreciate this feature – especially those who often carry heavy loads. In addition to EDC, which helps keep the ride comfortably firm, the Adaptive Ride Package includes self-leveling rear suspension, which uses air springs and ride-height sensors to maintain ground clearance and help keep the car at an even level. (std. in 760Li; not available with optional 750i/750Li Sport Package)



Electronic Damping Control (EDC) delivers superior handling and riding comfort. This is achieved by “steplessly” switching shock absorber settings from the softest to the firmest, depending upon road conditions, vehicle speed and load. You can also choose a “Sport” mode for firmer settings.

Premium Sound Package

Features the Logic7 system that turns the 7 Series interior into a “Surround Sound” theater. (std. in 760Li; opt. in 750i/750Li)



Logic7 premium audio system uses 13 powerful, premium speakers and advanced technology to create a 360° “Surround Sound” experience, recreating the acoustic intent of the original studio master. Includes all features of the standard audio system plus Digital Sound Processing and a six-disc CD changer capable of playing MP3 CDs.

Rear Entertainment Package

Passengers in the rear cabin can optimize hours of travel time by watching DVDs or listening to their choice of CDs through headphone jacks connected to the rear seat-center armrest. The Rear Entertainment Package includes a color monitor, a six-CD/DVD Multimedia Changer, and headphone jacks, all controlled through the rear-seat iDrive Controller.



The **rear-seat monitor**, mounted on a folding arm on the rear center console, is a 6.5-inch, 16:9 aspect color screen with a resolution of 400 x 240 pixels. An integrated photocell constantly adjusts brightness for good visibility at all times.

760Li: Exclusive details

The 760Li sets the standard in automotive elegance. The exterior's special use of chrome and High-Gloss black trim, as well as exclusive alloy wheels, are some of the distinctive touches that differentiate it from the 750Li.

19" Star Spoke (Style 89) cast alloy wheels and performance tires.¹ Front: 19 x 9.0 wheels, 245/45R-19 tires; rear: 19 x 10.0 wheels, 275/40R-19 tires. (std. on 760Li; not available on 750i/750Li)

¹Due to low-profile tires, please note: wheels, tires and suspension parts are more susceptible to road hazard and consequential damages. Performance tires not recommended for driving in snow and ice conditions.



18 x 8.0 Exclusive Spoke (Style 91) forged alloy wheels and 245/50R-18 all-season tires (no-cost option on the 760Li) are highlighted by the exclusive "V12" logo on the side panels.



Illuminated rocker panel strip, exclusive to the 760Li, features a polished chrome insert with V12 logo.



The attractive kidney grille surround is one of the many features that distinguishes the front of the 760Li.



High-Gloss black trim, located on the "B" pillars and on the triangular component of the power-folding exterior side-view mirrors, adds a distinctive touch to the 760Li.

Performance and efficiency	750i	750Li	760Li
4.8-liter DOHC (4-cam) 32-valve V-8 engine with Valvetronic	●	●	
6.0-liter DOHC (4-cam) 48-valve V-12 engine with direct fuel injection and Valvetronic			●
Two-stage intake manifold	●	●	
Double-VANOS steplessly variable valve timing	●	●	●
Aluminum block and cylinder heads	●	●	●
Electronically controlled engine cooling	●	●	●
Digital Motor Electronics engine-management system with adaptive knock control	●	●	●
6-speed STEPTRONIC automatic transmission with Adaptive Transmission Control (ATC)	●	●	●
Electronic gear selector	●	●	●
Liquid-cooled alternator	●	●	●

Handling, ride and braking	750i	750Li	760Li
Aluminum double-pivot strut-type front suspension	●	●	●
Aluminum 4-link Integral rear suspension	●	●	●
Aluminum front and rear subframes	●	●	●
Active Roll Stabilization (ARS)	●	●	●
Twin-tube gas-pressure shock absorbers	●	●	●
Self-leveling rear suspension with air springs	▲	▲	●
Sport suspension	□	□	
Electronic Damping Control – includes "Sport" setting	▲	▲	●
Vehicle-speed-sensitive variable-assist, variable-ratio rack-and-pinion power steering	●	●	●
4-wheel ventilated disc brakes with electronic brake proportioning	●	●	●
Electromechanical parking brake	●	●	●
Automatic Parking Brake	●	●	●
Dynamic Stability Control (DSC)	●	●	●
Anti-lock Braking System (ABS)	●	●	●
Dynamic Traction Control (DTC)	●	●	●
Dynamic Brake Control (DBC)	●	●	●

Exterior and aerodynamics	750i	750Li	760Li
18 x 8.0 Star Spoke (Style 175) alloy wheels with 245/50R-18 all-season tires	●	●	
19 x 9.0 front/19 x 10.0 rear Star Spoke (Style 231) alloy wheels with 245/45R-19 front, 275/40R-19 rear performance tires ¹	○	○	
20 x 9.0 front/20 x 10.0 rear Double Spoke (Style 149) alloy wheels with 245/40R-20 front, 275/35R-20 rear performance tires ¹	□	□	
19 x 9.0 front/19 x 10.0 rear Star Spoke (Style 89) cast alloy wheels with 245/45R-19 front, 275/40R-19 rear performance tires ¹			●
18 x 8.0 Exclusive Spoke (Style 91) alloy wheels with 245/50R-18 all-season tires			NC
Body-color bumpers with hydraulic energy absorbers and (front only) compressible elements	●	●	●
Power adjustable, power-folding, heated, auto-dimming body-color side-view mirrors	●	●	●
High-Gloss black shadowline exterior trim	□/P	□/P	P
Aluminum hood and front fenders	●	●	●
Xenon Adaptive Headlights with dynamic auto-leveling	●	●	●
Halogen ellipsoid front foglights	●	●	●
Windshield wiper sweep regulated for optimum coverage ²	●	●	●
Variable parking position to reduce wiper blade wear	●	●	●
Articulated passenger-side wiper arm	●	●	●
Single-wipe control	●	●	●
Washer jets in wiper arms, heated fluid supply	●	●	●
Heated wiper parking area	●	●	●
High-pressure headlight cleaning system	●	●	●
Choice of standard or metallic paints	●	●	●
Smooth underbody	●	●	●

- Optional
- NC Optional; no extra cost
- NA Not available
- ▲ Adaptive Ride Package
- Sport Package
- ◇ Luxury Seating Package
- △ Convenience Package
- Cold Weather Package
- ◆ Premium Sound Package
- ★ Rear Entertainment Package
- P Priority 1 option. Please visit your BMW center for details.

¹ Due to low-profile tires, please note: wheels, tires and suspension parts are more susceptible to road hazard and consequential damages. Performance tires not recommended for driving in snow and ice conditions.
² Driver's side only.

Instrumentation and controls	750i	750Li	760Li
Electronic analog speedometer and tachometer	●	●	●
LCD main and trip odometers	●	●	●
Condition-based Service display ³	●	●	●
Expanded Check Control vehicle monitor system	●	●	●
iDrive concept	●	●	●
Start/Stop button	●	●	●
Electronic control stalks	●	●	●
LCD displays and warning indicators in dial faces	●	●	●
Leather power tilt/telescopic multi-function steering wheel with audio and phone controls, one programmable control; auto tilt-away for entry and exit	●	●	●
3-spoke sport steering wheel with multi-function controls	□	□	□
Programmable cruise control	●	●	●
Active Cruise Control	○	○	○
On-board computer	●	●	●
Navigation system	●	●	●
Night Vision	○	○	○
Voice Activation system	●	●	●
Bluetooth [®] wireless technology ⁴ for hands-free calling	●	●	●
Brake Wear Display	●	●	●
Tire Pressure Monitor	●	●	●

³ Additional functions for this system accessible through iDrive system.

⁴ Not all **Bluetooth**-enabled phone models are supported by BMW's hands-free **Bluetooth** wireless technology system. Please visit your BMW center for a list of compatible phones.

⁵ See Colors and Materials section for detailed information on available interior trims.

Audio/visual	750i	750Li	760Li
AM/FM stereo radio/CD audio system with 10 speakers, Radio Data System (RDS), in-dash single-disc CD player and FM diversity antenna	●	●	●
Logic7 audio system with 13 speakers, Digital Sound Processing and 6-disc in-dash CD changer with MP3 playback capability; includes 2 subwoofers and all features of standard audio system	◆	◆	◆
Auxiliary input located inside middle console	●	●	●
Rear Entertainment Package: Includes 6.5", 16:9-format Liquid Crystal Display (LCD) monitor, trunk-mounted 6-disc CD/DVD changer, headphone jacks, rear iDrive Controller	★	★	★
SIRIUS Satellite Radio	○	○	○
HD Radio™ – receive free, digital AM/FM broadcasts in clear, static-free quality sound; "multicast" FM stations; and innovative data services; can be ordered in combination with the optional Premium Sound Package	○	○	○

Interior seating and trim	750i	750Li	760Li
Nasca Leather upholstery ⁵	●	●	●
Extended leather trim on instrument panel and rear sides of front-seat backrests			●
Memory system for driver's seat, steering wheel, and power-folding outside mirrors (2 positions)	●	●	●
16-way power front Comfort seats with 4-way lumbar support; includes articulated upper backrest, adjustable backrest width, adjustable thigh support, passenger's-seat memory, active head restraints with adjustable side support	●	●	●
10-way power rear Comfort seats with 4-way lumbar support; includes articulated upper backrest, automatic head-restraint height adjustment, automatic pretensioners, and rear-seat ventilation		○	●
Active front driver's seat with gentle massage action	◇	◇	●
Ventilated front seats	◇	◇	●
Heated front seats with fast heating and balance control	●	●	●
Heated rear seats	◇/■	◇/■	●
Climate-controlled front console compartment with coinholder, trunk-release lockout, and illumination	●	●	●
Alcantara headliner and sun visors			●

Safety and security	750i	750Li	760Li
BMW's Advanced Safety System for integrated deployment of passive and active safety features	●	●	●
Driver's and passenger's front airbag supplemental restraint system (SRS) with advanced technology: dual-threshold, dual-stage deployment; and front-passenger seat sensors designed to prevent unnecessary airbag deployment	●	●	●
Front safety belts with automatic pretensioners	●	●	●
Automatic pretensioners in safety belts at rear outboard seating positions		○ ⁶	●
Automatic-locking retractors (ALR) on all passenger safety belts (for installation of child-restraint seats)	●	●	●
Front and rear Head Protection System (HPS)	●	●	●
Front-seat side-impact airbags	●	●	●
Rear-seat side-impact airbags	○	○	○
Active Knee Protection	●	●	●
Active front head restraints	●	●	●
BMW Assist™ with Bluetooth® integrated wireless communication system ⁷	●	●	●
Adaptive Brake Lights	●	●	●
Battery Safety Terminal	●	●	●
Automatic fuel-pump shutoff upon severe accident impact	●	●	●
Central locking system with double-lock anti-theft feature, selective unlocking ⁸	●	●	●
Coded Driveway Protection	●	●	●
Pathway Lighting feature ⁸	●	●	●
Alarm system with operation from remote, interior motion detector	●	●	●
<p>○ Optional NC – Optional; no extra cost NA – Not available ▲ Adaptive Ride Package □ Sport Package ◇ Luxury Seating Package △ Convenience Package ■ Cold Weather Package ◆ Premium Sound Package ★ Rear Entertainment Package</p>			

Comfort and convenience	750i	750Li	760Li
Vehicle & Key Memory	●	●	●
Keyless entry with multi-function remote control	●	●	●
Remote trunk release	●	●	●
Power soft-close automatic doors and trunklid	△	△	●
Continuously variable stepless door brakes	●	●	●
Power windows with key-off operation, "one-touch" open/close and anti-trapping feature	●	●	●
Automatic front climate control with full separate left/right controls, solar sensor, automatic recirculation, heat at rest feature, left/right temperature-controlled rear outlets, auto ventilation	●	●	●
Rear left/right climate control and coolbox in center armrest ⁹			○
Activated-charcoal micro-filter ventilation	●	●	●
Power 2-way moonroof with key-off and "one-touch" operation, conceal panel and wind deflector	●	●	●
Window and moonroof opening possible from remote control	●	●	●
Dual-power/heated automatic-dimming outside mirrors	●	●	●
Automatic tilt-down of right outside mirror for visibility of curb when backing up	●	●	●
Integrated 3-button Universal garage-door opener	●	●	●
Enhanced interior lighting system including front and rear left/right reading lights	●	●	●
Footwell lighting front and rear	●	●	●
Exit/entry lighting on interior door panels	●	●	●
BMW Ambiance Lighting front, rear and door panels	●	●	●
Illuminated visor vanity mirrors front and rear	●	●	●
LED "atmosphere" lights in C-pillars	●	●	●
Illuminated front console compartment	●	●	●
Glove compartment with rechargeable take-out flashlight	●	●	●
Illuminated exterior door handles and ground illumination	●	●	●
<p>⁶ Included in optional rear Comfort seats. ⁷ Bluetooth allows virtually entire phonebook download capability with BMW-approved phones. ⁸ Programmable via Vehicle & Key Memory. ⁹ If optional Rear Climate Control coolbox is ordered, ski bag feature is deleted.</p>			

Comfort and convenience (cont.)	750i	750Li	760Li
Rain-sensing windshield wipers with electronically controlled, reversible wiper motor	●	●	●
Park Distance Control with graphic display	●	●	●
Heated steering wheel	◇/■	◇/■	●
Power outlet in passenger's-side footwell area	●	●	●
Comfort Access system	○	○	○
Dual cupholders front and rear (total of 4 cup capacity)	●	●	●
Rear center armrest with storage compartment	●	●	●
Power rear-window and rear-side-window sunshades with driver and rear-passenger controls	○/◇	○/◇	●
Ski bag	◇/■	◇/■	● ⁹
Fully finished trunk with inside trunk release	●	●	●
Automatic trunk opening and closing	△	△	●

BMW Services	750i	750Li	760Li
BMW Ultimate Service™ ¹⁰	●	●	●

Adaptive Ride Package	750i	750Li	760Li
Self-leveling rear suspension with air springs	▲	▲	●
Electronic Damping Control, stepless	▲	▲	●

750i/750Li Sport Package	750i	750Li	760Li
20 x 9.0 front/20 x 10.0 rear Double Spoke (Style 149) alloy wheels with 245/40R-20 front, 275/35R-20 rear performance tires ¹¹	□	□	
High-Gloss black shadowline exterior trim	□	□	
3-spoke sport steering wheel with multi-function controls	□	□	
Dark Ash High-Gloss Wood trim	□	□	
Sport suspension	□	□	

¹⁰ For full details on BMW Ultimate Service, including exclusions and limitations, see page 88.
¹¹ Due to low-profile tires, please note: wheels, tires and suspension parts are more susceptible to road hazard and consequential damages. Performance tires not recommended for driving in snow and ice conditions.

Luxury Seating Package	750i	750Li	760Li
Active front driver's seat with gentle massage action	◇	◇	●
Ventilated front seats	◇	◇	●
Heated rear seats	◇	◇	●
Heated steering wheel	◇	◇	●
Ski bag	◇	◇	● ⁹
Power rear-window and rear-side-window sunshades with driver and rear-passenger controls	◇	◇	●

Convenience Package	750i	750Li	760Li
Power soft-close automatic doors and trunklid	△	△	●
Automatic trunk opening and closing	△	△	●

Cold Weather Package	750i	750Li	760Li
Heated rear seats	■	■	●
Heated steering wheel	■	■	●
Ski bag	■	■	● ⁹

Premium Sound Package	750i	750Li	760Li
Logic 7 audio system with 13 speakers, Digital Sound Processing and 6-disc in-dash CD changer with MP3 playback capability; includes 2 subwoofers and all features of standard audio system	◆	◆	●

Rear Entertainment Package	750i	750Li	760Li
Includes 6.5", 16:9-format Liquid Crystal Display (LCD) monitor, trunk-mounted 6-disc CD/DVD changer, headphone jacks, and operated via rear iDrive Controller	★	★	★

For details on standard and optional equipment on the BMW 7 Series Individual vehicle, please see your authorized BMW center.

Weight		750i	750Li	760Li
Unladen	lbs	4486	4552	4905
Weight distribution, front/rear	%	49.9/50.1	49.9/50.1	51.0/49.0

Engine		750i	750Li	760Li
Liter/type		4.8/V-8	4.8/V-8	6.0/V-12
Bore/stroke	inch	3.66/3.48	3.66/3.48	3.50/3.15
Nominal output/rpm	hp	360 @ 6300	360 @ 6300	438 @ 6000
Max torque/rpm	lb-ft	360 @ 3400	360 @ 3400	444 @ 3950
Compression ratio	:1	10.5	10.5	11.3
Fuel grade		unleaded premium	unleaded premium	unleaded premium

Transmission		750i	750Li	760Li
Automatic ratios	I/II/III :1	4.17/2.34/1.52	4.17/2.34/1.52	4.17/2.34/1.52
	IV/V/VI :1	1.14/0.87/0.69	1.14/0.87/0.69	1.14/0.87/0.69
	R :1	3.40	3.40	3.40
Final drive ratio	:1	3.38	3.38	3.15

Performance		750i	750Li	760Li
Acceleration 0–60 mph ¹	sec	5.8	5.8	5.8
Top speed ²	mph	150	150	150
Aerodynamic drag coefficient	C _d	0.29	0.29	0.29
Turning circle	ft	39.7	41.3	41.3

Fuel consumption ³		750i	750Li	760Li
City/highway	mpg	TBD/TBD	TBD/TBD	TBD/TBD

¹ BMW AG test results. Actual acceleration results may vary, depending on specification of vehicle; road and environmental conditions; testing procedures and driving style. These results should be used for comparison only and verification should not be attempted on public roads.

BMW urges you to obey all posted speed laws and always wear safety belts.

² Top speed limited electronically.

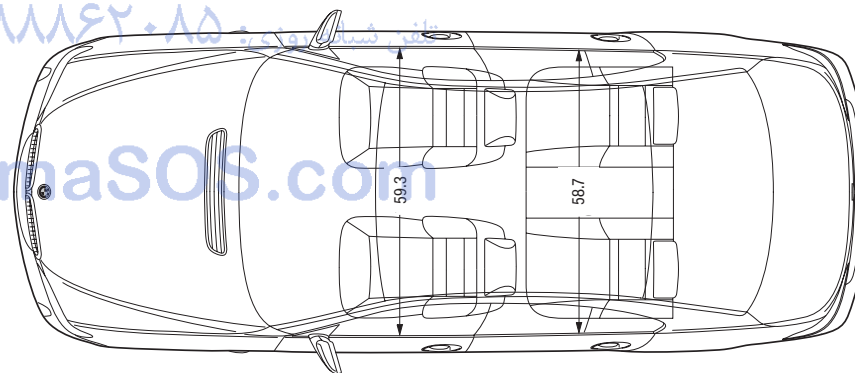
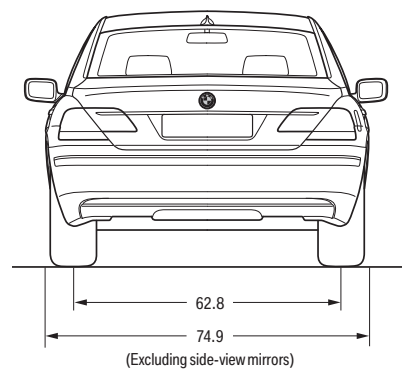
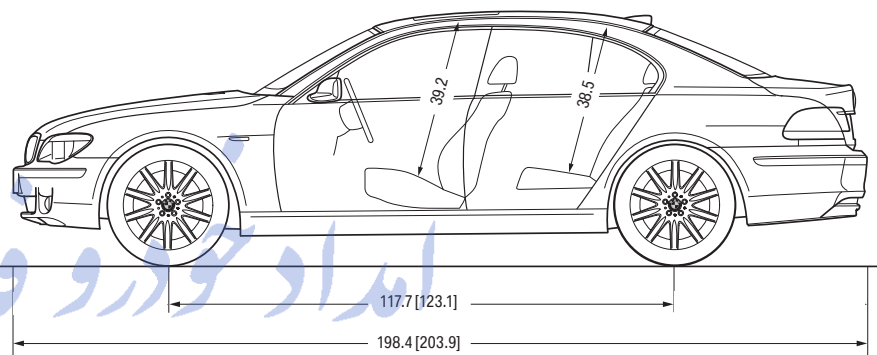
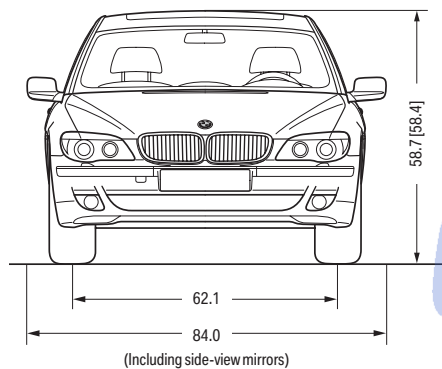
³ Fuel consumption figures not available at time of printing. Please refer to bmwusa.com for fuel consumption information.

EPA-estimated figures are for comparison purposes only. Your actual mileage will vary, depending on speed, driving habits, trip length and driving conditions; actual mileage will most likely be lower.

Tires, wheels and brakes		750i	750Li	760Li
Tire dimensions				
Standard	front rear	245/50R-18 ⁴ 245/50R-18 ⁴	245/50R-18 ⁴ 245/50R-18 ⁴	245/45R-19 ⁵ 275/40R-19 ⁵
Optional	front rear	245/45R-19 ⁵ 275/40R-19 ⁵	245/45R-19 ⁵ 275/40R-19 ⁵	
Sport Package	front rear	245/40R-20 ⁵ 275/35R-20 ⁵	275/40R-20 ⁵ 275/35R-20 ⁵	
No-cost option	front rear			245/50R-18 ⁴ 245/50R-18 ⁴
Wheel dimensions				
Standard	front rear inch	18 x 8.0 18 x 8.0	18 x 8.0 18 x 8.0	19 x 9.0 19 x 10.0
Optional	front rear inch	19 x 9.0 19 x 10.0	19 x 9.0 19 x 10.0	
Sport Package	front rear inch	20 x 9.0 20 x 10.0	20 x 9.0 20 x 10.0	
No-cost option	front rear inch			18 x 8.0 18 x 8.0
Material		alloy	alloy	alloy
Brake dimensions (diameter x thickness)	front rear inch	13.7 x 1.18 13.6 x 0.94	13.7 x 1.18 13.6 x 0.94	13.7 x 1.18 13.6 x 0.94

⁴ All-season tires.

⁵ Performance tires. Due to low-profile tires, please note: wheels, tires and suspension parts are more susceptible to road hazard and consequential damages.



All dimensions shown in inches. Figures in [] apply to the 750Li/760Li; all other figures apply to 750i.
Wheels shown in technical drawing are not available in the U.S.