

The all-new
2004 BMW X3
Sports Activity
Vehicle



X3 2.5i
X3 3.0i

The Ultimate
Driving Machine®



If the X3 looks like fun,
believe your eyes.



امداد خودرو فارس

form.asos.com

xDrive: Agility and traction –
when and where you need it.



امداد خود رانندگان
تلفن: ۰۲۱۸۶۲۰۰۰۰
FarnaSOS.com

Power or more power? **You decide.**



امداد خودرو فاریا

تلفن شبانه روزی: ۰۲۱-۸۸۸۶۲۰۸۵

FarinaSOS.com



امداد خودرو فارما

تلفن شبانه روزی: ۰۲۱-۸۸۸۶۲۰۸۵

FarmaSOS.com

Give your **senses**
a workout.



Equipment | Standard



■ **Six-speed manual transmission**, standard on both the X3 2.5i and 3.0i, delivers a precise, athletic feel that's responsive to your personal driving style. This is due, in part, to the enhanced synchronization of shifts from neutral to each gear. (Shown: opt. heated seats; Sport Package; Aluminum-finish trim, Montana Leather upholstery)



■ **Power windows** include "one-touch" up/down operation for the front and "one-touch" down for the rear.



■ **BMW anti-theft AM/FM stereo/CD audio system** produces full, rich sound through hi-fi speakers. Includes Radio Data System (RDS), Auto-Store, 3-channel FM diversity antenna system; pre-wired for a BMW six-disc CD player/changer¹ and compatible with auxiliary audio input adaptor¹ for audio connection of portable music players, standard.

¹ Available as an accessory.



□ Dual-glass-panel **Panorama moonroof** features fully electric slide and lift control. Includes trap release, comfort opening/closing function, a wind deflector to help keep the wind out, and an electric sun shade to help shield cabin from excessive heat.



■ **Roof rails**, blending harmoniously with the X3's design, provide the foundation for BMW's multifunctional roof support system for convenient and safe transportation of surfboards, snowboards, skis, etc.



■/□ **Floor tracks** are designed for use with accessory storage racks for clean, safe stowage of items in the cargo area. (std. in X3 3.0i, included in X3 2.5i Premium Package) **Luggage compartment bike rails** (sold separately as an Aftersales accessory) secure the frames after removing the front wheels. **Retractable cargo net** helps keep pets and cargo secured and safely away from the passenger area.



■ 17 x 8.0 Double Spoke (Styling 111) alloy wheels and 235/55R-17 all-season tires are standard on the X3 2.5i.



■ 17 x 8.0 Double Spoke (Styling 112) alloy wheels and 235/55R-17 all-season tires are standard on the X3 3.0i.

18" Y Spoke Composite (Styling 114) alloy wheels and performance tires can be ordered with the X3 3.0i Sport Package. In front: 18 x 8.0 wheels and 235/50R-18 tires; at the rear: 18 x 9.0 wheels and 255/45R-18 tires.¹ (opt. with X3 3.0i Sport Package; tires not recommended for use in ice and snow. Spare is a space-saver wheel and tire)

¹Due to low-profile tires, please note: wheels, tires and suspension parts are more susceptible to road hazard and consequential damages.

تلفن: ۰۲۱-۸۸۸۶۲۰۸۵

FarmaSOS.com

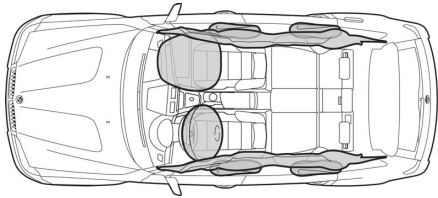


The X3 3.0i Sport Package includes **Star Spoke (Styling 113) 18 x 8.0 alloy wheels and 235/50 R-18 all-season tires.** (Spare is a space-saver wheel and tire)

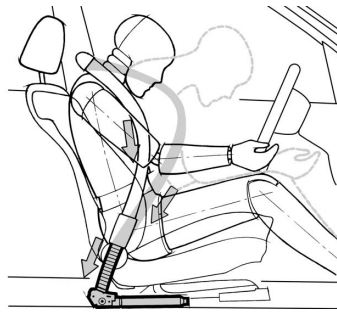


The X3 2.5i Sport Package includes **Star Spoke (Styling 143) 18 x 8.0 alloy wheels and 235/50 R-18 all-season tires.** (Spare is a space-saver wheel and tire)

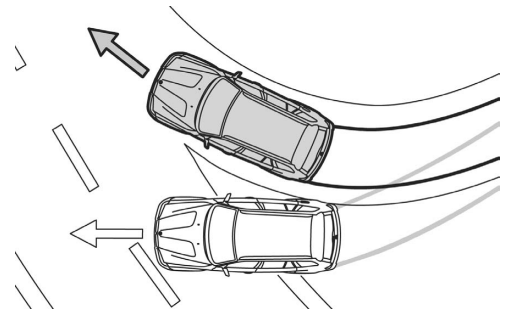
Equipment | Safety



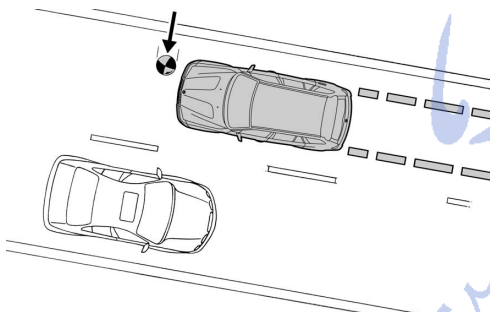
■ In the event of a collision, only the **airbags** that are needed are deployed. For the driver and front passenger, this includes “smart” front airbags, door-mounted side-impact airbags, and HPS (Head Protection System). For rear-seat passengers this includes HPS and optional rear side-impact airbags.



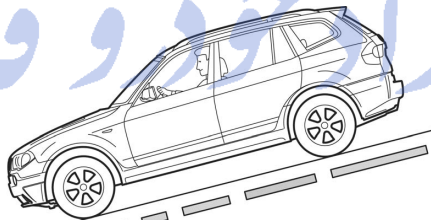
■ In the event of a severe frontal impact, **automatic safety belt tensioners** automatically tighten the lap and shoulder belts around front-seat occupants. **Always wear your safety belt and always place children in the rear seat.**



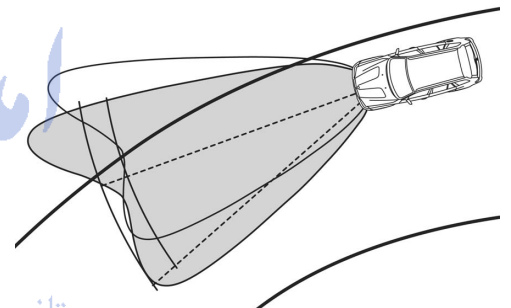
■ **Dynamic Stability Control** provides remarkable tenacity on slippery road surfaces. If the system senses over- or understeer, it modulates engine power and can apply brakes individually to help keep the vehicle under control and going in the intended direction.



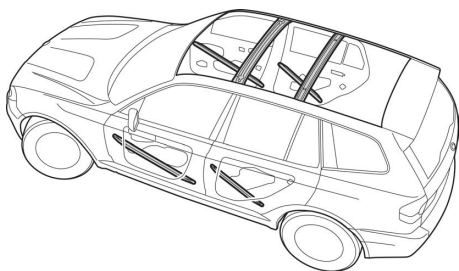
■ **Dynamic Brake Control (DBC)** senses “panic” braking maneuvers, and immediately builds up maximum brake pressure. This significantly cuts down the overall braking distance. When DBC is activated, the system also deploys **Adaptive Brake Lights**, warning following drivers brake quickly.



■ **Hill Descent Control (HDC)** helps the X3 drive down steep hills without having to “ride the brake.” By pressing the HDC button, the system keeps the X3’s speed under control automatically.



□ **Xenon Adaptive Headlights** automatically swivel to follow the curves of the road. The system uses data from on-board sensors and the steering wheel angle to determine the car’s direction, then adjusts the headlights accordingly, for excellent nighttime vision.



■ **BMW’s door anchoring system** includes reinforcing bars with hook-like members within each door. In a serious side impact, the bars hook the door to the body, locking them together to make a more rigid passenger cell. When the pressure is released, the anchoring system is designed to disengage so that the doors can be opened (unless further damage from the impact prevents them from opening).

■ Standard □ Optional

Standard equipment | Optional equipment

	X3 2.5i	X3 3.0i
Performance and efficiency		
2.5-liter dual overhead cam (DOHC), 24-valve inline 6-cylinder engine	●	
3.0-liter dual overhead cam (DOHC), 24-valve inline 6-cylinder engine		●
Electronic throttle control	●	●
Double-VANOS "steplessly" variable valve timing	●	●
Dual resonance intake system	●	●
6-speed manual transmission	●	●
5-speed STEPTRONIC automatic transmission with Adaptive Transmission Control	○	○
Handling, ride and braking		
xDrive all-wheel-drive system	●	●
Dynamic Stability Control (DSC)	●	●
Hill Descent Control (HDC)	●	●
Engine-speed-sensitive power steering	●	●
Servotronic vehicle-speed-sensitive power steering	○	○
Unitary body structure with independent suspension	●	●
Gas pressure shock absorbers	●	●
Front and rear anti-roll (stabilizer) bars	●	●
4-wheel ventilated anti-lock disc brakes with Dynamic Brake Control	●	●
Sport suspension calibration	□	□
Exterior		
17 x 8.0 Double Spoke (Styling 111) alloy wheels, 235/55R-17 all-season tires	●	
18 x 8.0 Star Spoke (Styling 143) alloy wheels, 235/50R-18 all-season tires	□	
17 x 8.0 Double Spoke (Styling 112) alloy wheels, 235/55R-17 all-season tires		●
18 x 8.0 Star Spoke (Styling 113) alloy wheels, 235/50R-18 all-season tires		□
Y Spoke (Styling 114) alloy wheels, 18 x 8.0 front, 18 x 9.0 rear; 235/50R-18 front, 255/45R-18 rear performance tires ¹		○
Space-saver spare wheel and tire	●	●
Xenon Adaptive Headlights with auto-leveling ²	○/▲	○
Halogen free-form foglights	○/◇/▲	●
Headlight washer system	★	★
Power folding mirrors	○	○
Door handles in matching body color	●	●
Shadowline exterior trim	□	□
Privacy glass	○	○
Roof rails	●	●
Metallic paint	○	○
Instrumentation and controls		
Service Interval Indicator with miles-to-service readout	●	●
Check Control vehicle monitor system with pictogram display	●	●
Flat tire warning system	●	●
4-function on-board computer	○/◇	●
On-board navigation system with 16:9 display and folding monitor ³	○	○

● = Standard.

○ = Optional.

◇ = Included in optional Premium Package.

□ = Included in optional Sport Package.

★ = Included in optional Cold Weather Package.

▲ = Included in optional Light Package.

¹ Sport Package required. Due to low-profile tires, please note: wheels, tires and suspension parts are more susceptible to road hazard and consequential damages. Performance tires not recommended for driving in ice and snow conditions. Spare is a space-saver wheel and tire.

² X3 2.5i requires Premium Package when ordering as a stand-alone option.

³ X3 2.5i requires on-board computer or Premium Package.

Standard equipment | Optional equipment

	X3 2.5i	X3 3.0i
Interior seating and trim		
8-way adjustable front seats (includes 2-way manual headrests)	●	
8-way power adjustable front seats with 2-way manual headrests and driver seat and mirror memory	○/◇	●
8-way adjustable front sport seats with 2-way manual thigh support	□	
8-way power adjustable front sport seats with 2-way manual thigh support ⁴	○	□
4-way lumbar support for front seats		◇
Sensatec Leatherette upholstery	●	●
Montana Leather upholstery	○	○/◇
Heated front seats	○/★	○/★
Leather-wrapped steering wheel	●	
4-spoke leather-wrapped multi-function steering wheel with fingertip cruise control	○/◇	●
3-spoke leather-wrapped sport steering wheel	□	□
Heated steering wheel ⁵	○	○
Front center console armrest	◇	●
Storage nets on front seatbacks, in front passenger footwell and luggage compartment; two aluminum fastening cargo rails and slip-proof reversible flooring in rear cargo compartment	◇	●
Slate Gray interior trim	●	●
Maple Sycamore Dark Wood interior trim	○/◇	○/◇
Aluminum-finish interior trim ⁶	○/◇	○/◇
Birch Grain Light Wood interior trim ⁶	○/◇	○/◇
Split 60/40 fold-down rear seats	●	●
Ski bag	★	★
Comfort and convenience		
Vehicle & Key Memory	●	●
Remote entry, including 2-step unlocking and remote tailgate release	●	●
Automatic climate control with micro-filter and air recirculation	◇	●
Panorama moonroof with fully automatic, two-piece glass panels, power slide and lift control, trap release, wind deflector and power interior sunshade	○/◇	○/◇
Tilt/telescopic steering wheel column	●	●
Park Distance Control (PDC), front and rear	○	○
Rain-sensing windshield wipers with Automatic headlight control	◇/▲	●
Automatic-dimming inside rear-view mirror	◇	◇
Power front windows with "one-touch" up/down operation; power rear windows with "one-touch" down	●	●
Front/rear map-reading, footwell and visor-mirror lights	◇	●
Locking glovebox with rechargeable take-out flashlight	●	●
Dual cupholders	● ⁷	●
Retractable cargo net	○	○
Pre-wiring for cellular phone, garage-door opener, 6-disc CD changer and auxiliary input	●	●
Audio system		
Anti-theft AM/FM stereo/CD audio system with loudspeakers, Radio Data System (RDS), Auto-Store, and 3-channel FM diversity antenna system; pre-wired for 6-disc CD changer ⁸ and compatible with auxiliary audio input adapter ⁸ for audio connection of portable music players	●	●
Premium sound with DSP (Digital Sound Processor) AM/FM stereo/CD audio system with upgraded loudspeakers, upgraded amplification, and vehicle-speed-sensitive equalization; prewired for 6-disc CD changer ⁸ and compatible with auxiliary audio input adapter ⁸ for audio connection of portable music players	○	○

● = Standard.

○ = Optional.

◇ = Included in optional Premium Package.

□ = Included in optional Sport Package.

★ = Included in optional Cold Weather Package.

▲ = Included in optional Light Package.

⁴ X3 2.5i requires Montana Leather upholstery and Sport Package; X3 3.0i requires Montana Leather upholstery or Premium Package.

⁵ Not available with Sport Package. X3 2.5i requires multi-function steering wheel with cruise control.

⁶ No-cost option when ordered with Premium Package.

⁷ X3 2.5i without Premium Package: two cupholders in middle console without armrest. With Premium Package: one cupholder in middle console with armrest and one on passenger-side door area.

⁸ Available as an accessory.

Standard equipment | Optional equipment

	X3 2.5i	X3 3.0i
Safety and security		
Anti-lock braking system (ABS)	●	●
Head Protection System (HPS), front and rear	●	●
Driver's and passenger's front airbag supplemental restraint system (SRS) with "smart" dual-threshold, dual-stage deployment and sensor to help prevent unnecessary passenger's airbag deployment	●	●
Front-door-mounted side-impact airbags	●	●
Rear-door-mounted side-impact airbags	○	○
Intelligent Safety and Information System (ISIS) for deployment of safety systems	●	●
Automatic-locking retractors (ALR) on all passenger safety belts (for installation of child restraint seats)	●	●
Isofix attachments for child-restraint safety seat installation	●	●
Battery Safety Terminal	●	●
Central locking system with center console switch (leaves gas filler door unlocked), double-lock feature and 2-step unlocking	●	●
Coded Driveaway Protection	●	●
Front safety belts with automatic tensioners and force limiters	●	●
Crash sensor that automatically turns on hazard lights and interior lights, and unlocks doors	●	●
Daytime running lights (via Vehicle Memory system – programmed at BMW SAV center)	●	●
Prewiring for alarm system	●	●
BMW Assist integrated wireless communication system	○◇	○◇
BMW Maintenance Program		
BMW Full Maintenance ⁹	●	●
Premium Packages		
8-way power adjustable front seats with 2-way manual headrests and driver seat and mirror memory	◇	●
4-spoke leather-wrapped multi-function steering wheel with fingertip cruise control	◇	●
Automatic climate control with micro-filter and air recirculation	◇	●
Rain-sensing windshield wipers with Automatic headlight control	◇	●
Storage nets on front seatbacks, in front passenger footwell and luggage compartment; two aluminum fastening rails and slip-proof reversible flooring in cargo compartment)	◇	●
Front center console armrest	◇	●
Front/rear map-reading, footwell and visor-mirror lights	◇	●
4-function on-board computer	◇	●
Halogen free-form foglights	◇	●
Panorama moonroof with fully automatic, two-piece glass panels, power slide and lift control, trap release, wind deflector and power interior sunshade	◇	◇
Automatic-dimming inside rear-view mirror	◇	◇
Maple Sycamore Dark Wood interior trim	◇	◇
Aluminum-finish interior trim ⁶	◇	◇
Birch Grain Light Wood interior trim ⁶	◇	◇
BMW Assist integrated wireless communication system	◇	◇
Montana Leather upholstery		◇
4-way lumbar support for front seats		◇

● = Standard.

○ = Optional.

□ = Included in optional Sport Package.

★ = Included in optional Cold Weather Package.

▲ = Included in optional Light Package.

⁹ Full Maintenance Program covers all factory-recommended maintenance, as determined by the Service Interval Indicator for 4 years or 50,000 miles, whichever comes first. Full Maintenance Program includes items that need replacement due to normal wear and tear, provided wear and tear exceeds BMW specifications. This includes items such as brake pads, brake rotors and wiper blades that are not covered by the original New SAV Limited Warranty. Any adjustments required due to normal operating conditions are also included. For exclusions and limitations, refer to the Service and Warranty Information booklet that came with your new BMW. Further information regarding the X3 SAV can be obtained from your authorized BMW SAV center or bmwusa.com/newX3.

Standard equipment | Optional equipment

	X3 2.5i	X3 3.0i
Sport Packages		
18 x 8.0 Star Spoke (Styling 143) alloy wheels, 235/50R-18 all-season tires ¹⁰	□	
18 x 8.0 Star Spoke (Styling 113) alloy wheels, 235/50R-18 all-season tires ¹⁰		□
Y Spoke (Styling 114) alloy wheels, 18 x 8.0 front, 18 x 9.0 rear; 235/50R-18 front, 255/45R-18 rear performance tires ¹¹		○
8-way adjustable front sport seats with 2-way manual thigh support	□	
8-way power adjustable front sport seats with 2-way manual thigh support	○ ¹²	□
3-spoke leather-wrapped sport steering wheel	□	□
Sport suspension calibration	□	□
Shadowline exterior trim	□	□
Cold Weather Packages		
Ski bag	★	★
Heated front seats	★	★
Headlight washer system	★	★
Light Packages¹³		
Xenon Adaptive Headlights with auto-leveling	▲	○
Halogen free-form foglights	▲	●
Rain-sensing windshield wipers	▲	●
Accessories		
CD changer (6-disc)	△	△
BMW cellular telephone	△	△
Alarm system	△	△
BMW Universal Transceiver (integrated remote garage-door opener) in rear-view mirror	△	△
Floor mats	△	△
Auxiliary audio input adapter for audio connection of portable music players	△	△
Bicycle rack that attaches to cargo rails	△	△
Trailer hitch with 3500 lb. towing capacity ¹⁴	△	△
Aerodynamic components	△	△

- = Standard.
- = Optional.
- = Included in optional Sport Package.
- ★ = Included in optional Cold Weather Package.
- ▲ = Included in optional Light Package.

¹⁰ Spare is a space-saver wheel and tire.

¹¹ Sport Package required. Due to low-profile tires, please note: wheels, tires and suspension parts are more susceptible to road hazard and consequential damages. Performance tires not recommended for driving in ice and snow conditions. Spare is a space-saver wheel and tire.

¹² Available option when power seats or Premium Package is ordered.

¹³ Available in X3 2.5i only; not available with Premium Package.

¹⁴ Please view X3 Owner's Manual for towing guidelines.

Specification | Technical features

		X3 2.5i	X3 3.0i
Weight			
Unladen	lbs	4001 (4045)	4023 (4067)
Weight distribution, front/rear			
Manual transmission	%	50.4/49.6	49.9/50.1
Automatic transmission	%	50.4/49.6	50.4/49.6
Engine			
Liter/type		2.5/inline 6	3.0/inline 6
Bore/stroke	inch	3.31/2.95	3.31/3.53
Nominal output/rpm	hp	184/6000	225/5900
Max torque/rpm	lb-ft	175/3500	214/3500
Compression ratio	:1	10.5	10.2
Fuel grade		Unleaded premium	Unleaded premium
Transmission			
Manual gear ratios			
I/II/III	:1	4.35/2.50/1.66	4.35/2.50/1.66
IV/V/VI/R	:1	1.23/1.00/0.85/3.93	1.23/1.00/0.85/3.93
Final drive ratio	:1	3.91	3.64
Automatic gear ratios			
I/II/III	:1	3.42/2.22/1.60	3.42/2.22/1.60
IV/V/R	:1	1.00/0.75/3.03	1.00/0.75/3.03
Final drive ratio	:1	3.91	3.64
Performance			
Drag coefficient	C _d	0.35	0.35
Top speed	mph	129	130 ¹ /137 ^{1,2}
Acceleration 0-60 mph ³	sec	8.6 (9.3)	7.6 (7.9)
Fuel consumption⁴			
6-speed manual transmission			
City/Highway	mpg	17/24	17/25
5-speed automatic transmission			
City/Highway	mpg	17/23	16/23
General			
Maximum payload	lbs	992 (1003)	1025 (1036)
Gross Vehicle Weight Rating (GVWR)	lbs	4993 (5049)	5049 (5104)
Roof load limit	lbs	165	165
Tongue weight/Trailer-towing capacity	lbs	350/3500 (Class 2)	350/3500 (Class 2)
Breakover angle @ curb weight	°	18°	18°
Angle of approach @ curb weight	°	24°	24°
Angle of departure @ curb weight	°	21.9°	21.9
Ground clearance	inch	8.0	8.0
Fording ability	inch	19.7	19.7
EPA cargo volume with rear seats folded down	cu ft	71	71

Figures in () apply to vehicles with automatic transmission.

1 Top speed limited electronically.

2 With option 2LA (Y Spoke [Styling 114] alloy wheels and performance tires; requires Sport Package).

3 BMW AG test results. Actual acceleration results may vary, depending on specification of vehicle; road and environmental conditions; testing procedures and driving style. These results should be used for comparison only and verification should not be attempted on public roads. **BMW urges you to obey all posted speed laws and always wear safety belts.**

4 EPA-estimated figures are for comparison purposes only. Your actual mileage will vary, depending on speed, driving habits, trip length and driving conditions; actual mileage will most likely be lower.

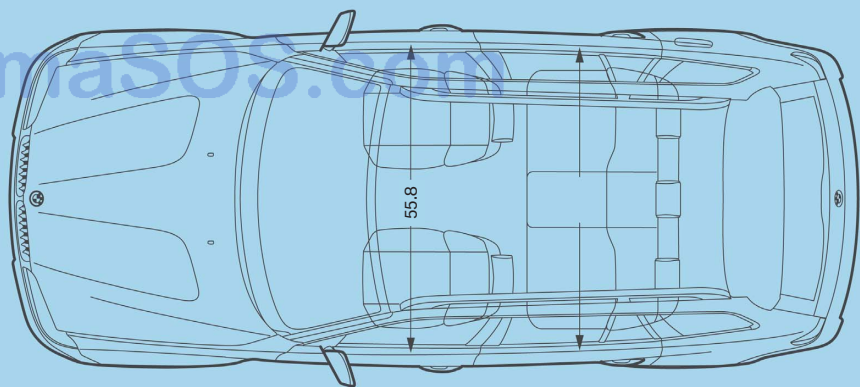
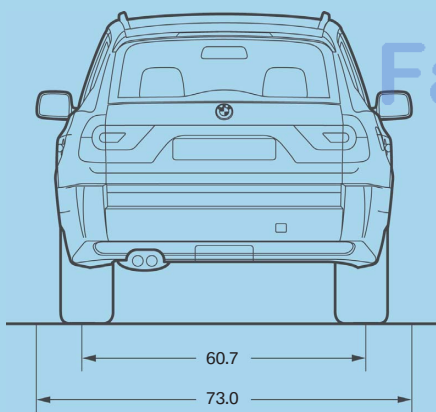
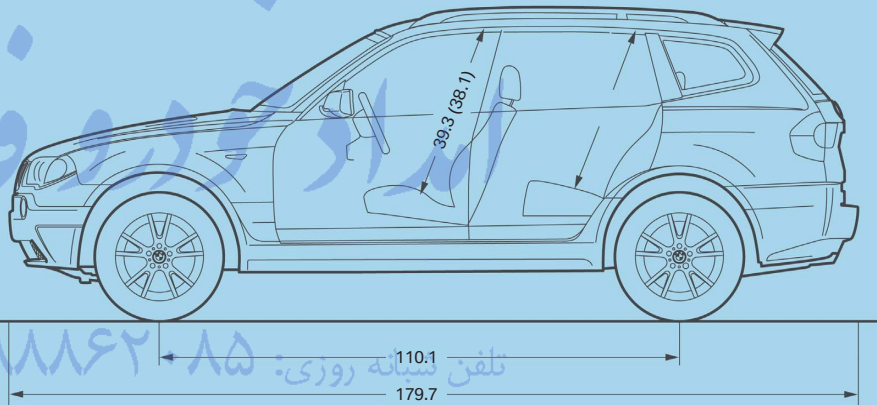
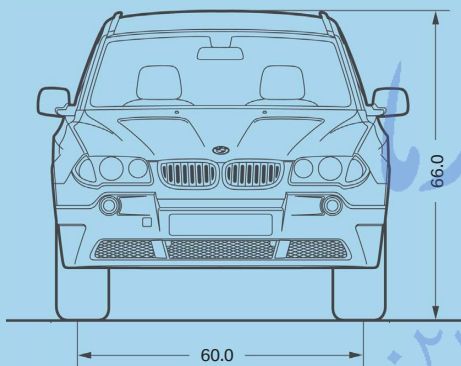
Specification | Technical features

Wheels

		X3 2.5i	X3 3.0i
Tire dimensions	(standard)	235/55R-17 all-season	235/55R-17 all-season
Wheel dimensions	(standard)	17x 8.0	17x 8.0
Material		Cast alloy	Cast alloy
Tire dimensions	(Sport Package)	235/50R-18 all-season ⁴	235/50R-18 all-season ⁴
Wheel dimensions	(Sport Package)	18x 8.0	18x 8.0
Material		Cast alloy	Cast alloy

Brakes

Front Type/Diameter	inch	Ventilated disc/12.8	Ventilated disc/12.8
Rear Type/Diameter	inch	Ventilated disc/12.6	Ventilated disc/12.6



All dimensions shown in inches. Figures in () apply to Panorama glass moonroof.

⁴ Due to low-profile tires, please note: wheels, tires and suspension parts are more susceptible to road hazard and consequential damages.

All illustrations and specifications contained in this brochure are based on the latest product information available at the time of printing. BMW reserves the right to make changes at any time, without notice, in colors, materials, equipment, specifications and models. BMW may, subject to legal requirements, determine the Model Year designation of its vehicles. The Model Year designation on any particular model may be longer or shorter than 12 months. Some vehicles pictured may contain non-U.S. equipment. Some models may be shown with optional equipment. While BMW NA makes all reasonable efforts to provide accurate information in this brochure, there is no guarantee or warranty of accuracy. Furthermore, we do not assume any liability for the accuracy or completeness of information presented. This brochure shall not be used or relied upon as a substitute for information that is available from your BMW center. Further information can be obtained from your authorized BMW center or bmwusa.com.

U.S. Importer: BMW of North America, LLC, Woodcliff Lake, NJ 07677. All illustrations and specifications contained in this brochure are based on the latest product information available at the time of printing. BMW reserves the right to make changes at any time, without notice, in colors, materials, equipment, specifications and models. BMW may, subject to legal requirements, determine the Model Year designation of its vehicles. The Model Year designation on any particular model may be longer or shorter than 12 months. Some vehicles pictured may contain non-U.S. equipment. Some models may be shown with optional equipment. Further information can be obtained from your authorized BMW SAV center or bmwusa.com.

©2003 BMW of North America, LLC. Not to be reproduced wholly or in part without written permission of BMW of North America, LLC. The BMW name and logo are registered trademarks.